

LOAD CELLS
compression
220


Truck scales
 Hopper for processweighing
 Tank & silo weighing
 Harsh environment
 Capacities 5 - 50 Ton
 Stainless steel construction
 OIML R60 and NTEP approved
 IP68 Protection
 EEx ia IIC T6 hazardous area approval
 FM approval available

TECHNICAL CHARACTERISTICS 220

Rated load (R.L.):	5000, 10000, 20000, 30000, 50000*** kg
NTEP/OIML Accuracy class:	NTEP, OIML C3
Maximum no. of intervals (n):	3000
Y = Emax/Vmin:	14000
Rated output (R.O.):	2.0 mV/V
Repeatability:	0.1% of R.O.
Zero balance:	2% of R.O.
Creep (30 minutes):	0.0170 +/- % of applied load
Combined error:	0.0200 % of R.O.
Temp. effect (-10° to +50°C) on zero balance:	0.0010 % of R.O./°C
Temp. effect (-10°C to +50°C) on output:	0.0010 % of applied load/°C
Compensated temperature Range:	-10 ÷ +40 °C
Temperature range:	-30 ÷ +70 °C
Safe overload:	150% of R.L.
Maximum overload:	300% of R.L.
Recommended input:	10 Vdc/Vac
Maximum excitation:	20 Vdc/Vac
Input resistance:	1065 ± 60 Ohm
Output resistance:	1025 ± 20 Ohm
Insulation resistance:	>2000 M Ohm
Cable length:	5m (5T), 10m (10 & 20T), 20m (30 & 50T)
Cable type:	6 wires, braided, Polyurethane, double floating screen Standard
Material:	Stainless steel
Degree of protection:	IP68

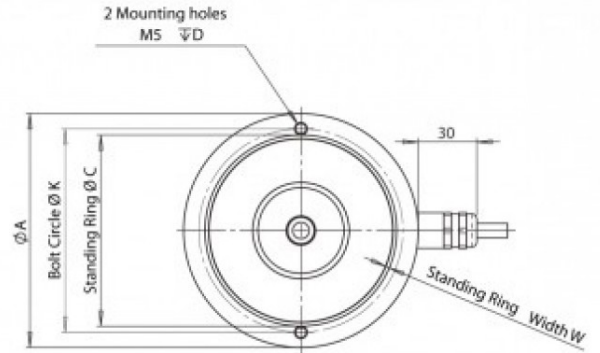
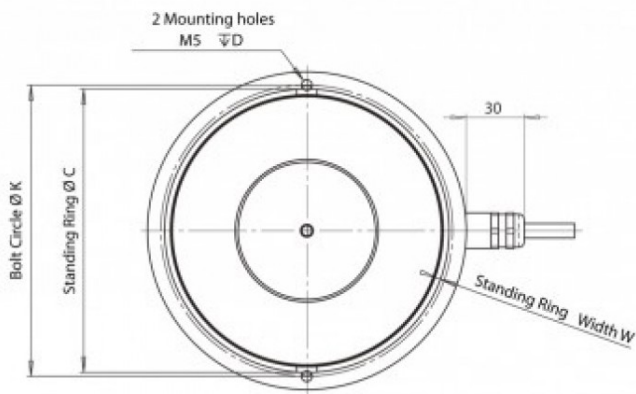




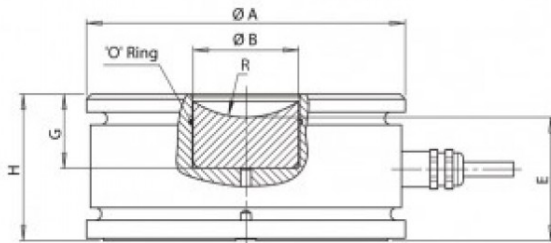
LOAD CELLS

compression

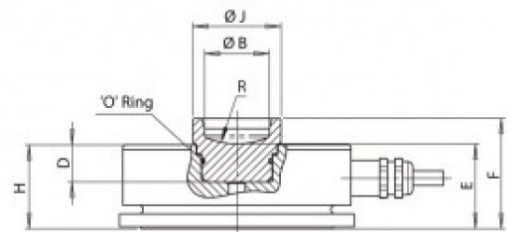
220



20t, 30t, 50t



5t, 10t



CAPACITY	A	B	C	D	E	F	G	H	J	K	W	R
5 t	80	25	71	7	34	43	20	30	35	70	1	31
10 t	92	25	75	6	34	43	15	33	35	80	2	31
20÷30 t	110	28	101	8	39	-	26	50	-	102	2	31
50 t	125	41	112	8	49	-	29	58	-	115	2	37

