



LOAD CELLS

compression

740



Compression load cell, selfcentering column

4000 divisions O.I.M.L. R60 class C

Simple to install

Capacity: 15T-60T

Stainless Steel construction

Hermetically welded, protection class IP 68 (EN 60529) and IP 69K (ISO 20653)

Pre-corner adjustment optimized for multicell systems

Lightning protection

Applications: High capacity weighingsystems, truck scales

Available in ATEX version (optional) Zone 0-1-2 (gas) and 20-21-22 (dust)

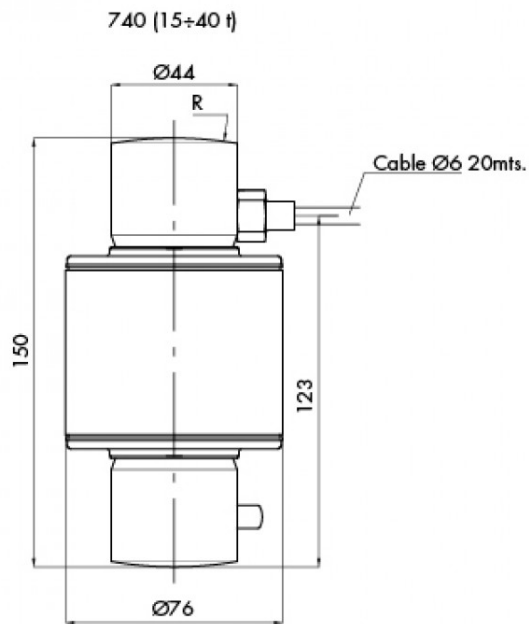
TECHNICAL CHARACTERISTICS 740

Nominal capacities (Ln):	15-20-25-30-40-60 TON
Accuracy class:	4000 n. OIML
Creep error (30 minutes):	< ±0.012 % SN
Temperature compensation:	-10 +40 °C
Temperature limits:	-50+70 °C
Nominal sensitivity (Sn):	2 mV/V (1)
Nominal input voltage:	10 V
Maximum input voltage:	15 V
Input impedance:	800 ±5 Ohms
Output impedance:	705 ±5 Ohms
Insulation resistance:	> 5000 MOhms





LOAD CELLS
 compression
 740



Capacity t	R
15+20	130
25	150
30	160
40	180

