

LOAD CELLS

universal

CVF



Designed for forces measurement
 Predisposed to lateral loads withstand
 Excellent linearity and precision
 Overload capability greater than 300%
 Watertight protection for use in harsh environments
 Stainless steel
 The 2000 kN and 5000 kN capacities are made of stainless tropicalized
 Also available in special versions for High Temperature

TECHNICAL CHARACTERISTICS CVF

Rated load (R.L.):	0.5÷5000 kN
Combined error:	±0.05% of R.O.
Repeatability:	±0.02% of R.O.
Creep (20 minutes):	±0.02% of R.L.
Safe overload:	150% of R.L.
Ultimate overload:	> 300% of R.L.
Recommended input:	2÷15 Vdc/Vac
Input resistance:	700 ±20 Ohm (350 Ohm carrying capacity 1000÷5000 kN)
Output resistance:	700 ±5 Ohm (350 Ohm carrying capacity 1000÷5000 kN)
Insulation resistance	> 5000 M Ohm
Rated output (R.O.):	2.0 mV/V ±0.1 %
Zero balance:	< ±1.5% of R.O.
Temperature range:	-20 ÷ +70 °C
Compensated temperature range:	-10 ÷ +50 °C
Temp. effect (-10° to +50°C) on zero balance:	< ±0.005% of R.O./°C
Temp. effect (-10°C to +50°C) on output:	< ±0.005% on output/°C
Max load deflection:	0.2 mm
Degree of protection:	IP65
Material:	Inox steel
Electrical connection:	6 conductors



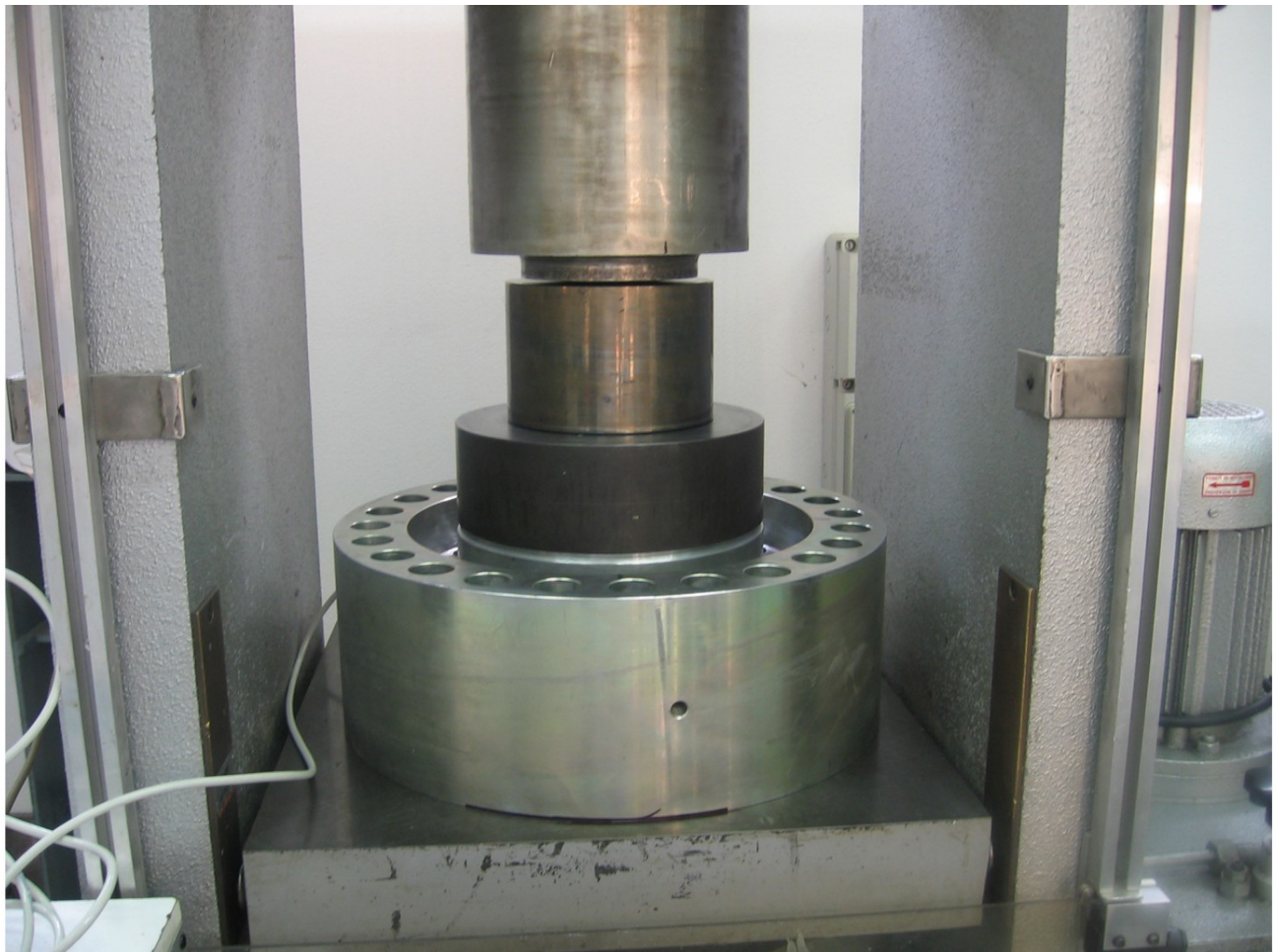


Pavone Sistemi
pesatura elettronica industriale

LOAD CELLS

universal

CVF

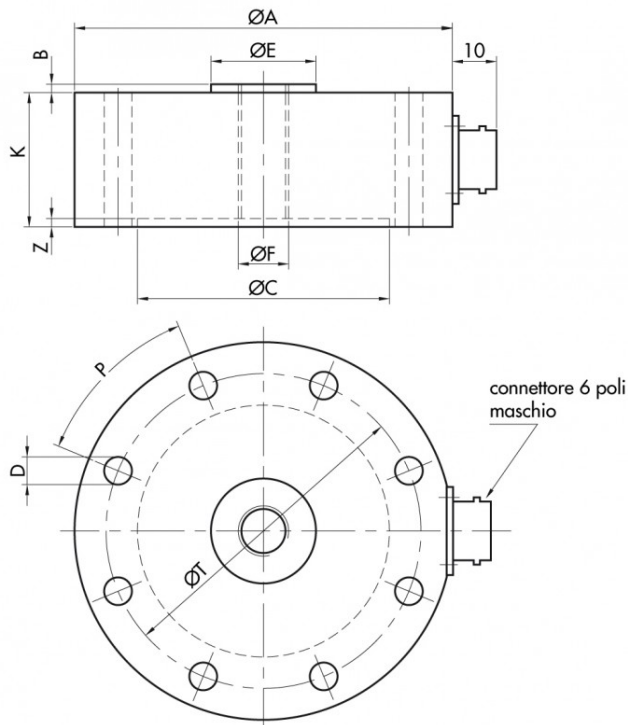




LOAD CELLS

universal

CVF



Electrical Connection

+Excitation	Red
-Excitation	Black
+Signal	Green
-Signal	White
+Sense	Blue
-Sense	Brown
Shield	Cable shield

RANGE kN	ØA	B	ØC	ØD	ØE	ØF	K	ØT	P	Z
0.5÷10	90	2	60	4-6.6	25	M12x1.75	32	75	4x90°	2
20÷50	150	2	105	8-11	55	M24x2	38	130	8x45°	2
100÷200	185	2	135	8-13	70	M36x3	42	160	8x45°	3
500	240	2	160	12-17	90	M45x3	60	200	12x30°	3
1000	295	5	200	16-21	127	M80x4	100	250	16x22°30'	4
2000	390	3	270	24-26	190	M120x4	120	330	24x15°	4
5000	447	3	330	24-32	250	M180x6	160	390	24x15°	4

