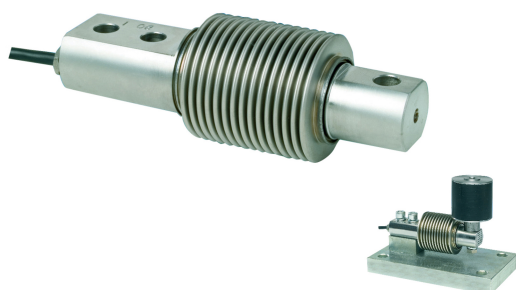


LOAD CELLS
bending beam
300 i


ATEX (optional)

Approved OIML R60 3000 divisions C Class

Made of stainless steel

Hermetically sealed, fully welded

IP68 Protection (EN 60529)

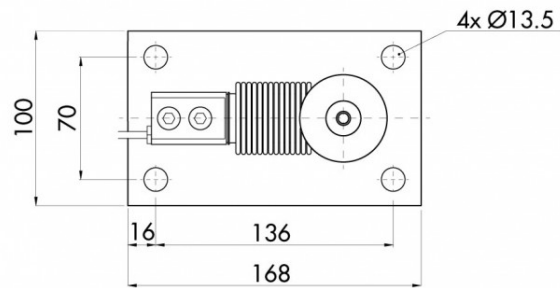
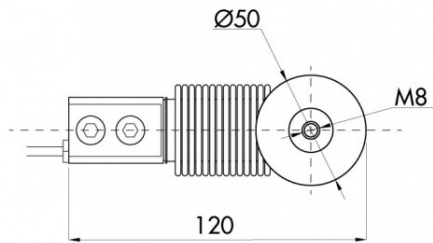
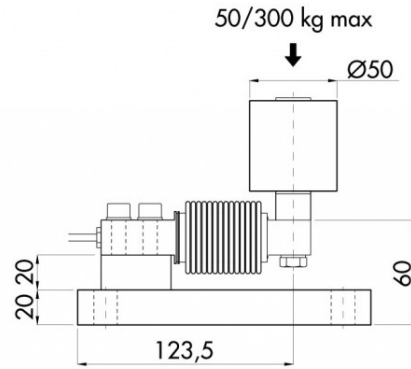
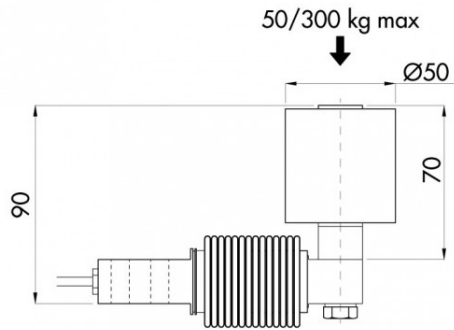
Designed for weighing tanks, hoppers, belts, platforms, systems, single cell, suspended load, automatic packaging machines

TECHNICAL CHARACTERISTICS 300 i

Rated load (R.L.):	5, 10, 20, 30, 50, 75, 100, 150, 200, 250, 300, 500 Kg
Combined error:	< ±0.017% of R.O.
Repeatability:	< ±0.015% of R.O.
Creep (20 minutes):	< ±0.016% of R.L.
Safe overload:	150% of R.L.
Maximum overload:	200% of R.L.
Recommended input:	5÷15 Vdc/Vac
Input resistance:	400 ± 20 Ohm
Output resistance:	400 ±20 Ohm
Insulation resistance:	> 5000 M Ohm
Rated output (R.O.):	2 ± 0.1% mV/V (1)
Zero balance:	< ± 2% of R.O.
Temperature range:	-20 ÷ +50°C
Compensated Temperature Range:	-10 ÷ +40°C
Temperature effect on zero balance:	< ±0.01% of R.O./5°K
Temperature effect on output:	< ±0.006% of output/5°K
Max load deflection:	0.2÷0.4 mm
Accuracy class:	3000 n. OIML
Degree of protection:	IP68
Electrical connection:	4 conductors shielded cable; length 3 m

(1) R.L. ≤ 20 kg: 2 ± 0,2%



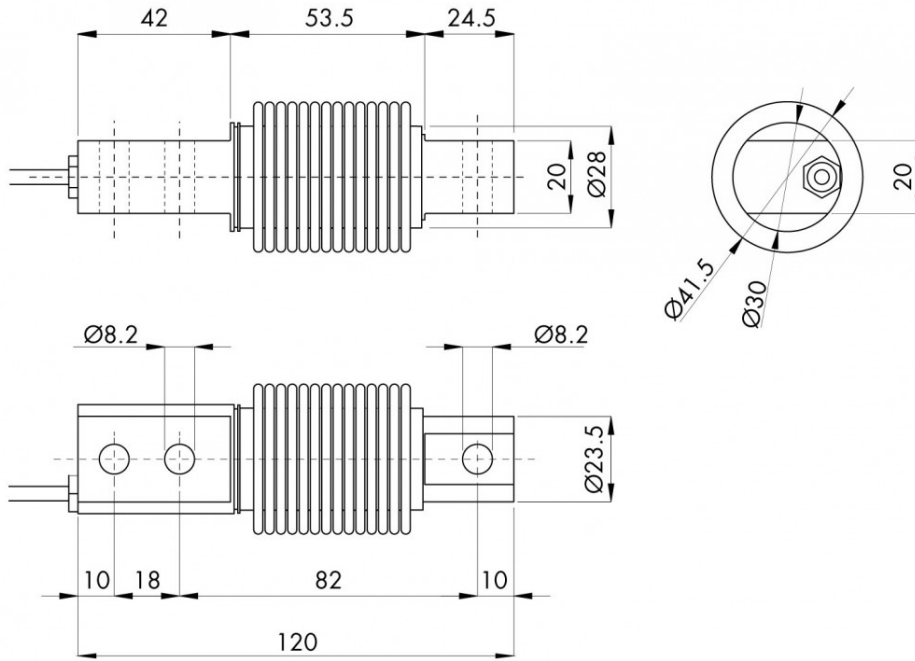




LOAD CELLS

bending beam

300 i



Electrical Connection	
+Excitation	Green
-Excitation	Black
+Signal	Red
-Signal	White
Screen	Cable Shield

