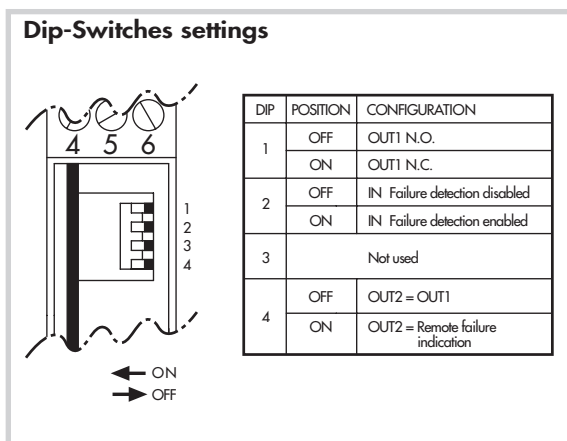
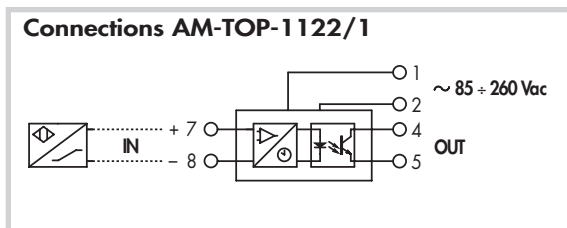
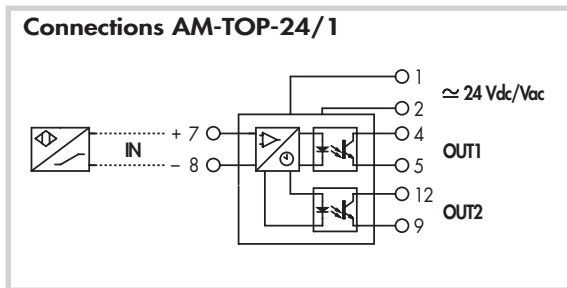
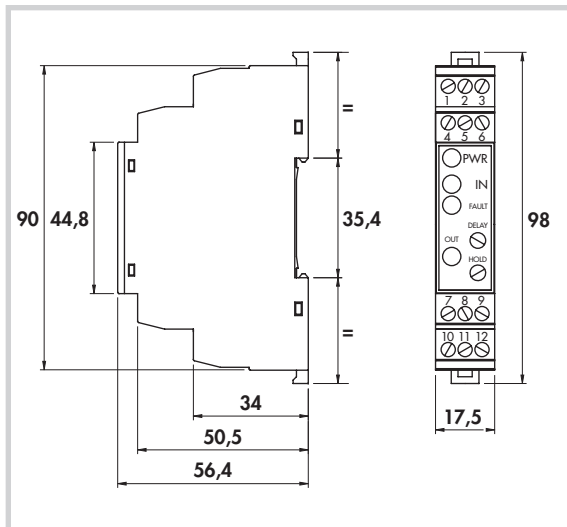


# AMPLIFIERS FOR SENSORS

## • OPTOCOUPLED STATIC OUTPUT

### • 1 Timed channel



### General Features:

These units allow to amplify signals from NAMUR sensors or contacts. The delay time and hold time respect the input signal are adjustable through potentiometers on the front panel. Each output is electrically insulated from each other, from power supply and from all the inputs. It is possible to configure them as N.O. or N.C. and use them as PNP or NPN. They are protected against over voltages on lines, overload and short circuit. On the 24V version is also possible to configure the OUT2 with the same function of OUT1 or use it as remote failure indication. When used for NAMUR sensors, the indication of failures is visible with a red LED on the front panel for interruptions or short circuits on the input lines.

The configuration dip-switches are easily accessible removing the front panel. Suitable for DIN rail mounting.

### Technical data:

- Supply voltage: see ordering references DC or 50 - 60 Hz
- Frequency of power supply: see ordering reference
- Power consumption max: - 25 ÷ + 60° C
- Working temperature: - 40 ÷ + 80° C
- Storage temperature: IP20
- Degree of protection:
- According to EN60947-5-6
- Electromagnetic compatibility (EMC) according to EN61000-6-2/-4

### INPUT PARAMETERS

- Switching point to ON:  $\geq 1,75$  mA
- Switching point hysteresis: 0,2 mA
- Failure detection thresholds: open circuit detection when  $I < 0,05$  mA  
short circuit detection when  $I > 7,45$  mA ( $R_i < 100$  ohm)

### OUTPUTS

- Output function: N.O. or N.C. as for DIP-SW settings
- Polarity: NPN/PNP
- Switching frequency max: 900Hz
- Input/output delay max: 700µs
- Output current max: 300 mA
- Max applicable voltage through the load: 65 V
- Voltage drop max in ON condition: 1,7 V
- Insulation from power supply and from inputs: 2500 V
- Range of delay and hold timing adjustment: 700 µsec ÷ 25,6 sec

SUPPLY VOLTAGE	N. CHANNELS	POWER CONSUMPTION MAX mA	ORDERING REFERENCES
24 V a.c. - d.c. ± 20%	1	60	<b>AM-TOP-24/1</b>
85 ÷ 260 Va.c.	1	20	<b>AM-TOP-1122/1</b>