



Product range >> Current transformers for industry >> Plug-in current transformer (ASK/CTB)

art. nr.: 20116

ASK 61.6 250/5A 2.5VA Cl.1



Electrical Attributes:

Primary current:	250 A
Secondary current:	5 A
Burden:	2,5 VA
Class:	1

Dimensions:

Bus bar 1:	60 x 10 mm
Bus bar 2:	50 x 30 mm
Round conductor:	40 mm
Width:	95 mm
Height:	116 mm
Depth:	74 mm

Technical details:

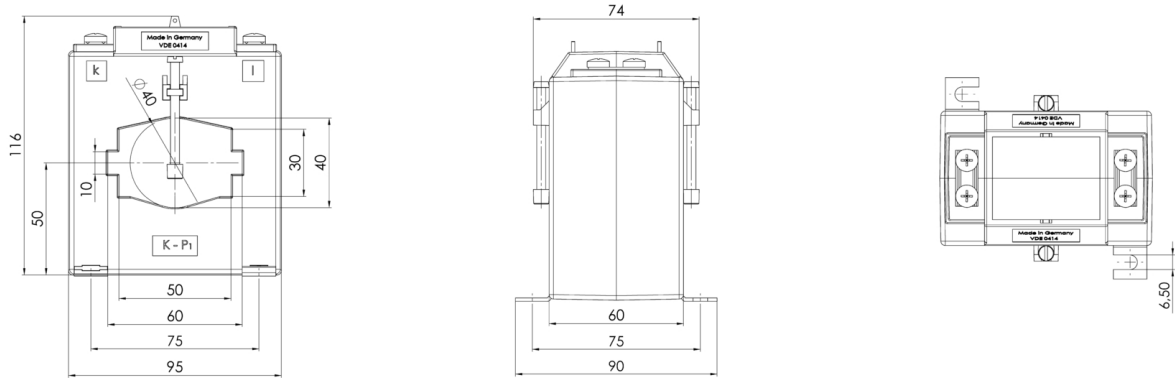
Therm. nominal continuous current I_{cth} :	$1,0 \times I_N$
Therm. nominal short-time current I_{th} :	$60 \times I_N$, 1 sec.
Max. operating voltage U_m :	0.72 kV
Isolation test voltage:	3 kV, U_{eff} , 50 Hz, 1 min.
Nominal rated frequency:	50 Hz
Isolation class:	E

Further information:

Over-current limiting factor:	See rating plate
Working temperature range:	$-5^{\circ}\text{C} < T < +40^{\circ}\text{C}$
Storage temperature range:	$-25^{\circ}\text{C} < T < +40^{\circ}\text{C}$
Unbreakable plastic housing made of black polycarbonate:	Flame resistant, ultrasonically welded
Nickel-plated secondary terminals with plus-minus nickel-plated screws:	M5x10mm
Package quantity:	1 pcs.
Custom tariff number:	85043129



Dimensions:



Contact:

MBS AG
Sulzbach Messwandler
Eisbachstraße 51
D-74429 Sulzbach-Laufen

Tel.: +49 7976 9851-0
Fax: +49 7976 9851-90
orders@mbs-ag.com

