

AWI 90

- ▶ Incremental rotary encoder with shaft
- ▶ Due to its design for highest mechanical requirements
- ▶ For applications with high mechanical loads
- ▶ Also available in stainless steel for aggressive environmental conditions
- ▶ Accessories from page 70

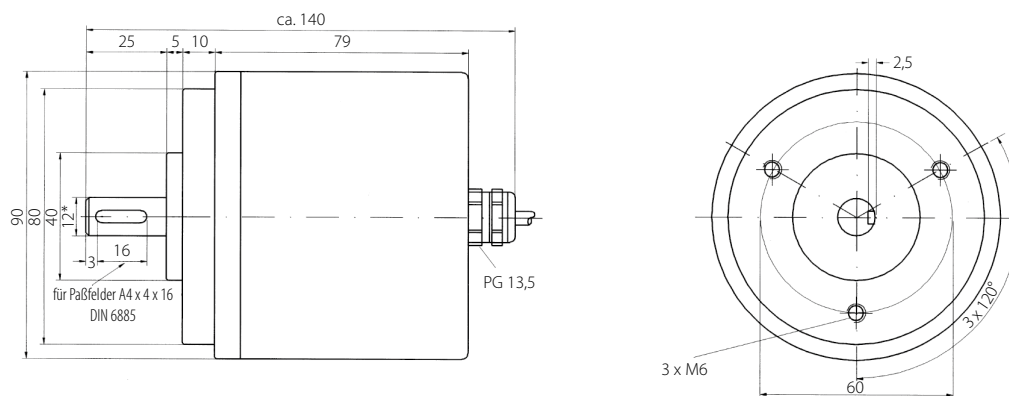
Electrical specifications

Max. step frequency:	100 kHz
Perm. temperature range:	-30°... +70° C
Power supply:	10 V... 30 V DC
Max. current consumption:	80 mA (without load)
Max. output load:	30 mA (per channel)
Residual ripple:	max. ± 5% UB
Power supply:	5 V DC ± 5%
Max. current consumption:	80 mA
	150 mA for Line Driver 75114 or sim.

Mechanical specifications

Flange:	Aluminium
Housing:	Powder-coated sheet steel
Shaft:	stainless steel
Shaft seal:	Oil/Salt-water resistant
Bearing:	Deep groove ball bearing
Weight:	approx. 1.2 kg
Protection type:	IP 65
Max. speed:	6000 U/min
Torque:	approx. 5 Ncm
Max. shaft load:	axial 30 N/radial 50 N

Mechanical dimensions



* Tolerance = h 6

