

## Series ES- ESM

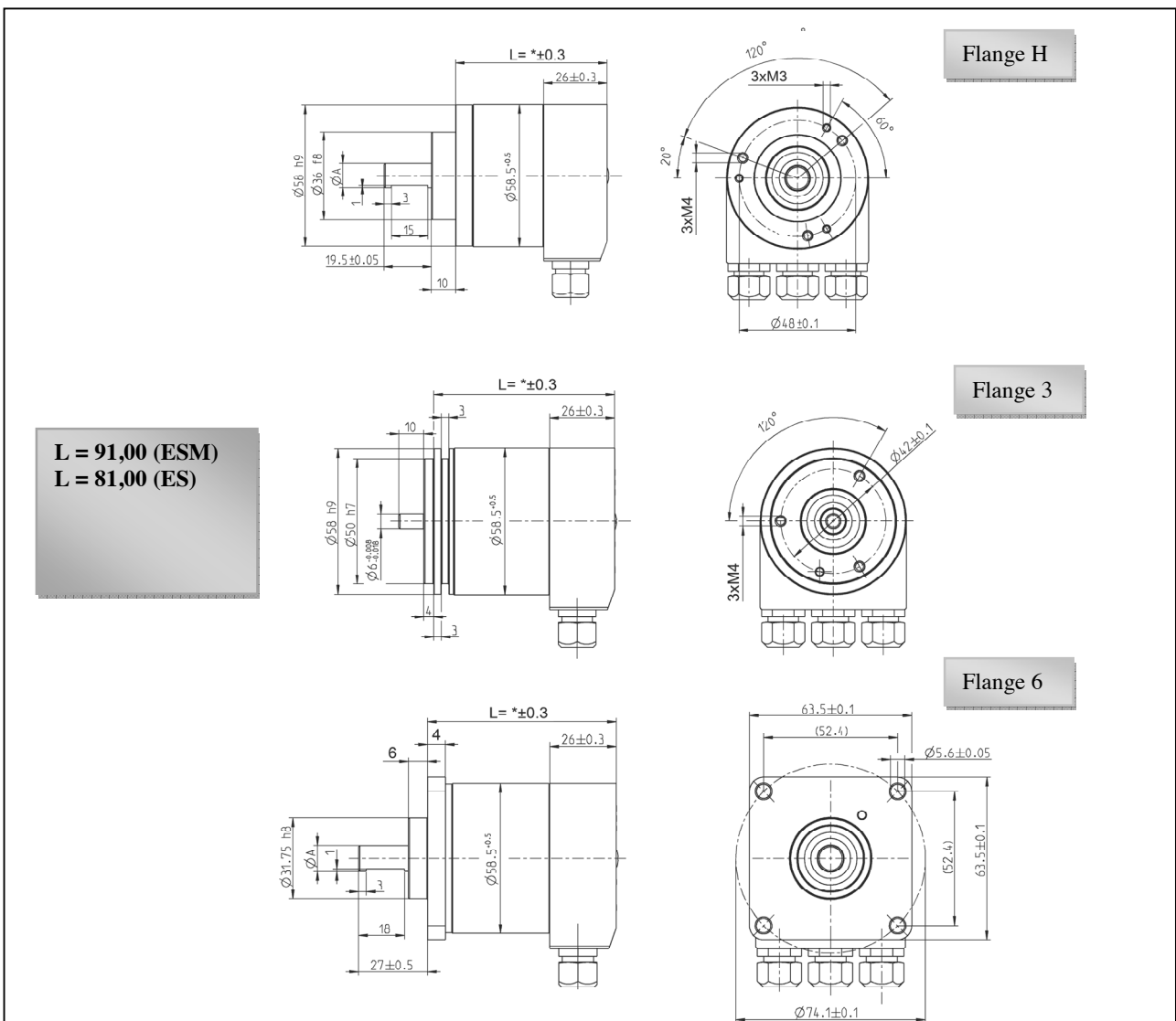
Absolute shaft encoder single turn (ES) / Multi turn (ESM) with EtherNet interface

### Mechanics data

<b>Cover:</b>	Aluminium
<b>Body:</b>	Aluminium
<b>Shaft:</b>	Stainless steel
<b>Bearings:</b>	2 ballraces
<b>Weight:</b>	400gr.
<b>IP protection:</b>	IP67
<b>RPM:</b>	6000 Max
<b>Torque:</b>	< 0.5Ncm
<b>Moment of inertia:</b>	14gcm <sup>2</sup> (Flange 1, 6 e H) 20gcm <sup>2</sup> (Flange 3)
<b>Shaft Load</b>	: Ass. 20N - Rad 40N ( shaft Ø 6mm) Ass. 40N -Rad 60N ( shaft Ø 10mm)



Dimensioni in millimetri



Series ES –ESM

*Electronics Data*

<b>Power Supply:</b>	10-30V +/- 5%
<b>Current cons:</b>	max 4Watt
<b>Interface:</b>	Ethenrnet
<b>Protocol:</b>	Powerlink; Ethernet TCP/IP; Ethernet IP
<b>Transfer rate:</b>	100Mbit/sec
<b>Cycle Time:</b>	≤ 1 ms (IRT) ; ≤ 10 ms (RT)
<b>Resolution:</b>	Single turn max 16 Bit Multi turn 30 Bit (16 Bit single turn -14 Bit multi turn )
<b>Linearity:</b>	+/- 2 LSB x 16 Bit 1 LSB x 14Bit +/- ½ LSB 12Bit
<b>Codice:</b>	Binario
<b>Programmable Functions:</b>	Direction Resolution per turn Total Resolution Preset
<b>Operating temperature:</b>	0 / +60°C

