



Application

- Weighing of hoppers and vessels of small and medium capacity.
- Refurbishment of scales and mechanical weighbridges.

Description

The BBL cell is composed of a proof body and stainless steel bellows.

The welding of the bellows to the proof body provides a hermetic seal giving IP 68 protection.

Its accuracy class C3 approval allows the BBL load cell to be used in an industrial environment where high levels of accuracy are required.

Conformity

Test certificate issued by an approved organization according to OIML recommendation R60.

Option

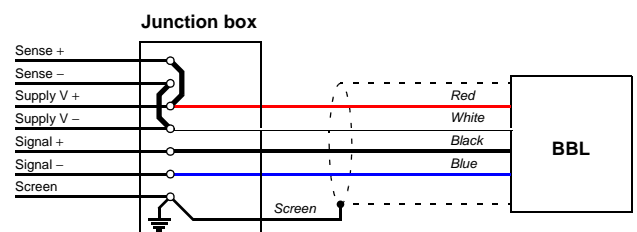
Ex version for use in hazardous zones.

- Zones 0 and 1 : Protection ia
- Zone 2 : Protection ia or nA
- Zones 20, 21 and 22 : Protection tD

Range available

Type	Capacity	Min. division	Maximum load	Safe load limit
BBL 10	10 kg	1 g	15 kg	20 kg
BBL 20	20 kg	2 g	30 kg	40 kg
BBL 50	50 kg	5 g	75 kg	100 kg
BBL 100	100 kg	10 g	150 kg	200 kg
BBL 200	200 kg	20 g	300 kg	400 kg
BBL 300	300 kg	30 g	450 kg	600 kg
BBL 500	500 kg	50 g	750 kg	1000 kg

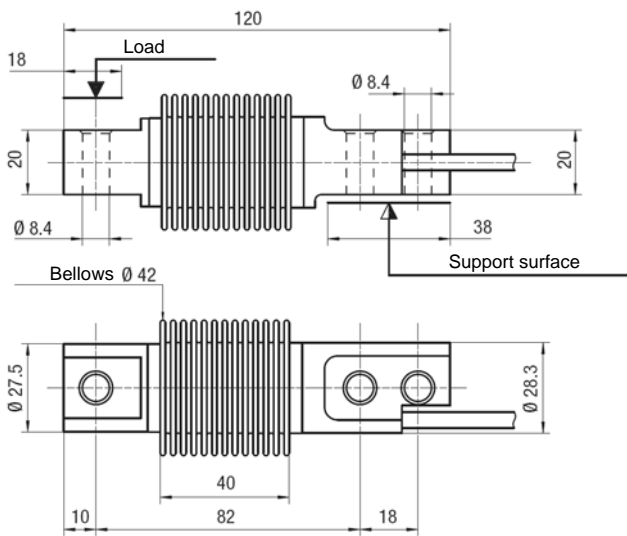
Cabling



- PVC 4-core screened cable
 - Length..... 3 m
 - Screen connected to the load cell body.



Dimensions



Metrological characteristics

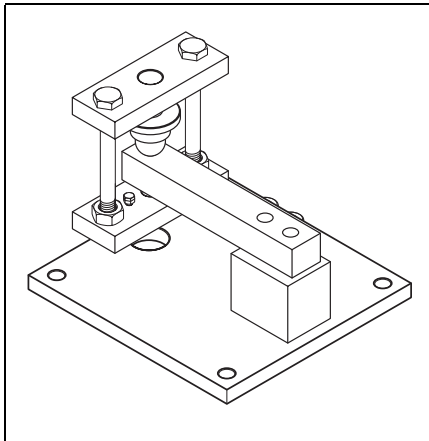
- Sensitivity 2 mV/V
- Total error..... < 0.02%
- Temperature effect on zero < 0.0014% / °C
- Temperature effect on sensitivity < 0.0014%

Electrical characteristics

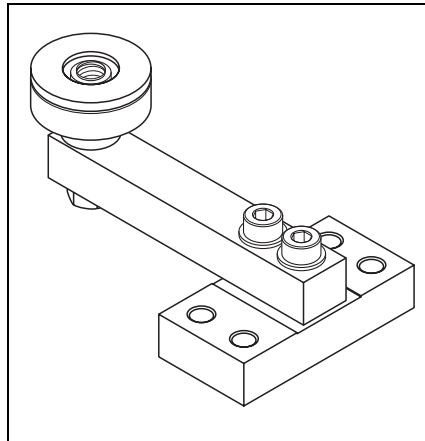
- Supply voltage 1 to 15 V
- Input impedance 385 Ω
- Output impedance 350 Ω
- Insulation > 5 000 MΩ
- Temperature range
 - Compensation Range - 10 °C / +40 °C
 - Operating Range - 20 °C / + 60 °C

Options

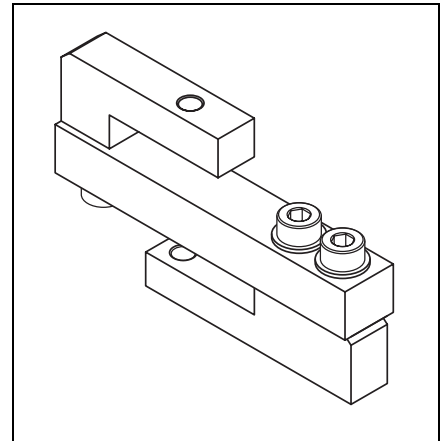
■ Mounting assembly with ball



■ Mounting assembly with shock absorber



■ Assembly for tension applications



Your specialist

Non contractual illustrations. Precia-Molen reserves the right to alter the characteristics of the equipment described in this brochure at any time.

Head office and factory
 BP 106 - 07000 Privas - FRANCE
 Tel. 33 (0) 475 664 600
 Fax 33 (0) 475 658 330
 E-MAIL webmaster@preciamolen.com
 RCS: 386 620 165 RCS Aubenas

