

series UM

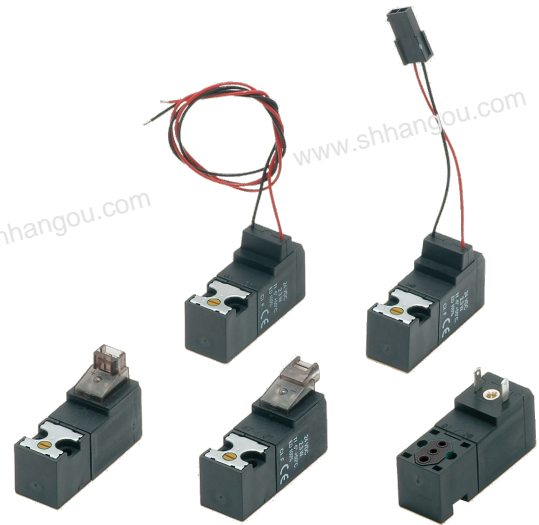
Direct acting solenoid valves 15 mm

DESCRIPTION

The direct acting solenoid valves series "UM" are produced in the 3/2 and 2/2 N.C./N.O. pneumatic functions. They are used as power valves if mounted on single and multi-station base, or as control valves if mounted, in the 3/2 pneumatic function, on body valves series "MEV", "MEK", or "UK". These valves can be used with all the fluids that can match the constructive materials. The multi-station bases support both the 3/2 N.O. than the 3/2 N.C. pneumatic functions.

TECHNICAL DATA

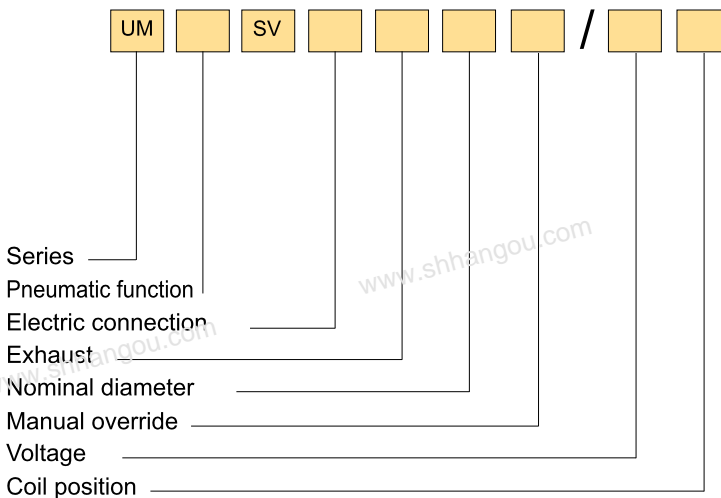
Nominal diameter	0.8 mm	1.1 mm (standard)	1.6 mm
Operating pressure	0÷10 bar N.C. Not available for N.O.	0÷10 bar N.C. 0÷7 bar N.O.	0÷7 bar N.C. 0÷5 bar N.O.
Flow rate 1-2 at 6 bar Δp=1	20 NI/min	30 NI/min	50 NI/min
Flow rate 2-3 at 6 bar Δp=1	30 NI/min	30 NI/min	50 NI/min
Working temperature	-5 ÷ +50 °C		
Fluid	Filtered, unlubricated or continuous lubricated compressed air and other compatibles fluids		
Max. operating frequency	≤ 30 Hz		
Coil	Adjustable		
Voltages	DC: 24 V	DC: 12 - 24 V AC: 24 - 110 - 220 V	
Power consumption	DC: 1 W	DC: 2.5 W AC: 2.8 VA (inrush) - 2.5 VA (holding)	
Voltage tolerance	-5% ÷ +10%		
Protection class	IP 51 - IP 65 (versions: with embedded cables or standard + connector MEK192/N)		
Insulation class	F (155°C)		
Duty cycle	Continuous rating (ED 100%)		
Energized	Solenoid with response time = 5 ms		
De-energized	Mechanical spring with response time = 6 ms		
Electric connectors	With faston: series MEK192/N - see chapter Connectors on page 7 With 90° and in-line connectors: series CN - see chapter Connectors on page 7		



MATERIALS

Core	Stainless steel
Body and manual override	PA and POM
Springs	Stainless steel
Seals	NBR and FKM rubber

ORDER KEY



ORDER EXAMPLE

15 mm 3/2 N.C. valve with faston, channeled exhaust, nominal diameter 1.1 mm, monostable push button, 24 V DC with standard coil position: **UMCSV02400**

PNEUMATIC FUNCTION

2A 2/2 N.O.	2C 2/2 N.C.
A 3/2 N.O.	C 3/2 N.C.

ELECTRIC CONNECTION

With faston (standard)

Options:

- 1** 90° connector + bipolar LED and diode
- 2** Cable length 300 mm
- 3** Line connector + bipolar LED and diode
- 4** 90° Connector
- 5** Line connector
- 7** Cable length 100 mm + Tyco® MODU II connector code 280358-0

EXHAUST

Channeled (standard)	L Free (only 3/2 N.C.)
----------------------	-------------------------------

NOMINAL DIAMETER

1.1 mm (standard)	B 1.6 mm
D 0.8 mm exhaust 1.1 mm (only N.C.)	

MANUAL OVERRIDE

Monostable push button (standard)	E Without manual override and M3 insert
F Without manual override	G Without M3 insert
H Bistable screw driver slot	

VOLTAGE

01200 12V DC	02400 24V DC
02450-60 24V AC	11050-60 110V AC
22050-60 220V AC	

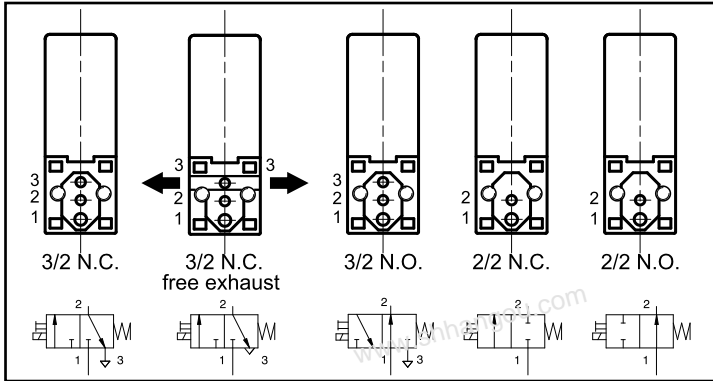
COIL POSITION

Standard	180 Rotated 180°
----------	-------------------------

Direct acting solenoid valves 15 mm

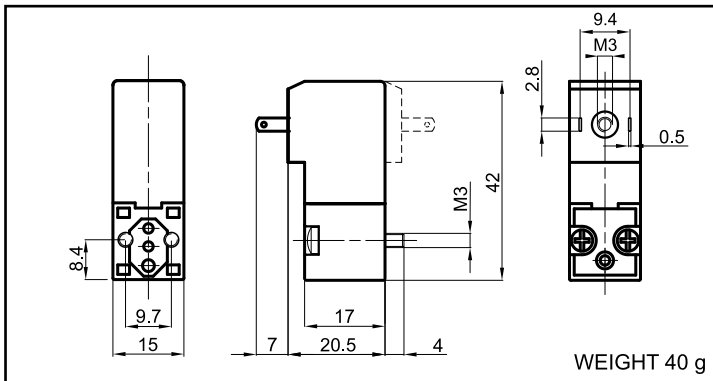
series UM

PNEUMATIC FUNCTIONS

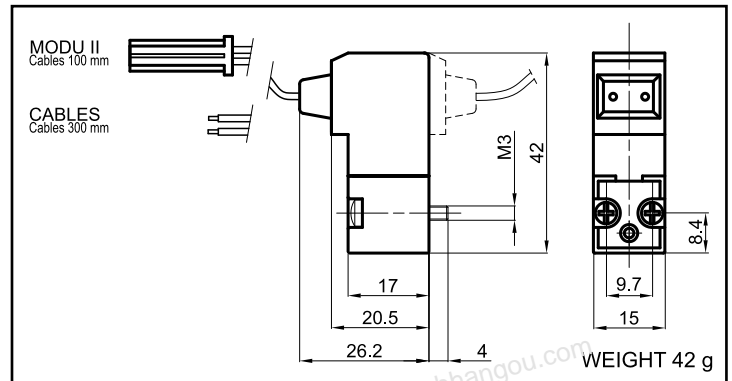


DIMENSIONS

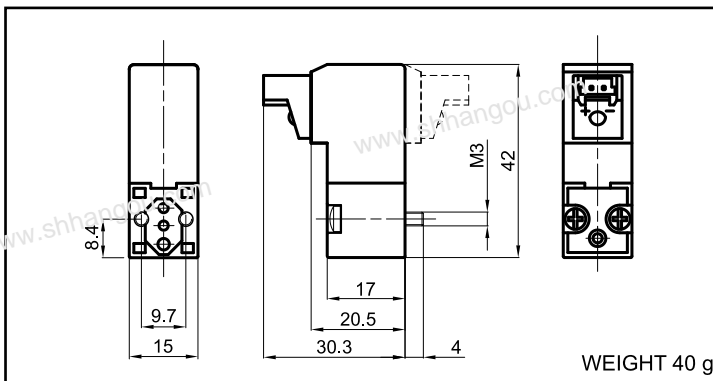
WITH FASTON FOR MEK192/N CONNECTOR



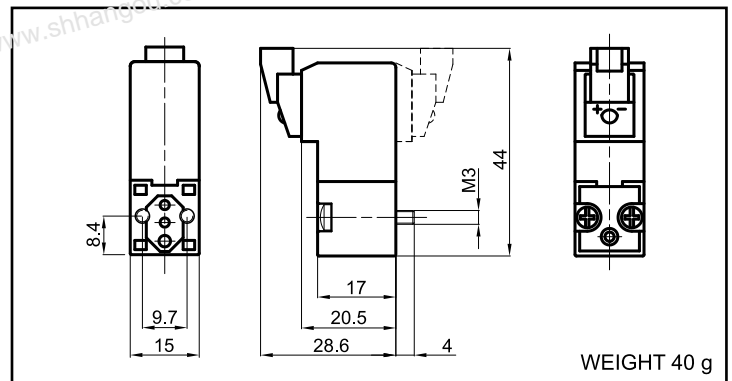
WITH CABLES



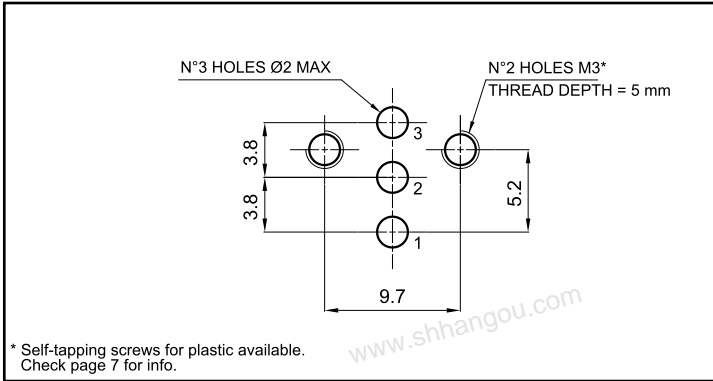
WITH 90° CONNECTOR



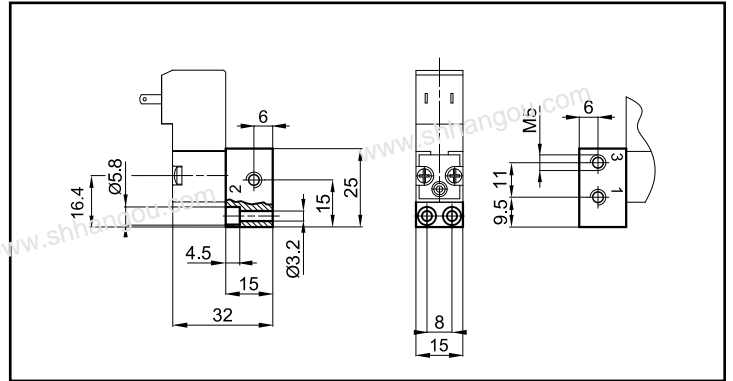
WITH IN-LINE CONNECTOR



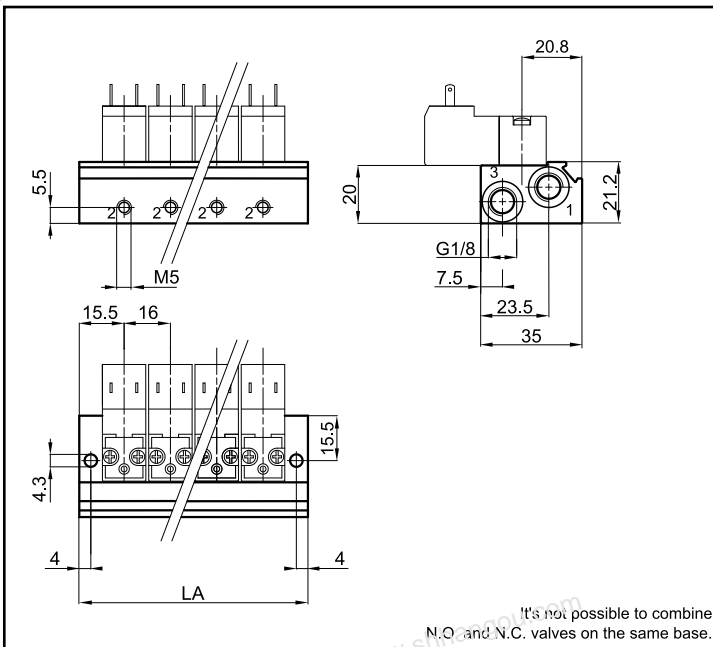
INTERFACE DIMENSIONS



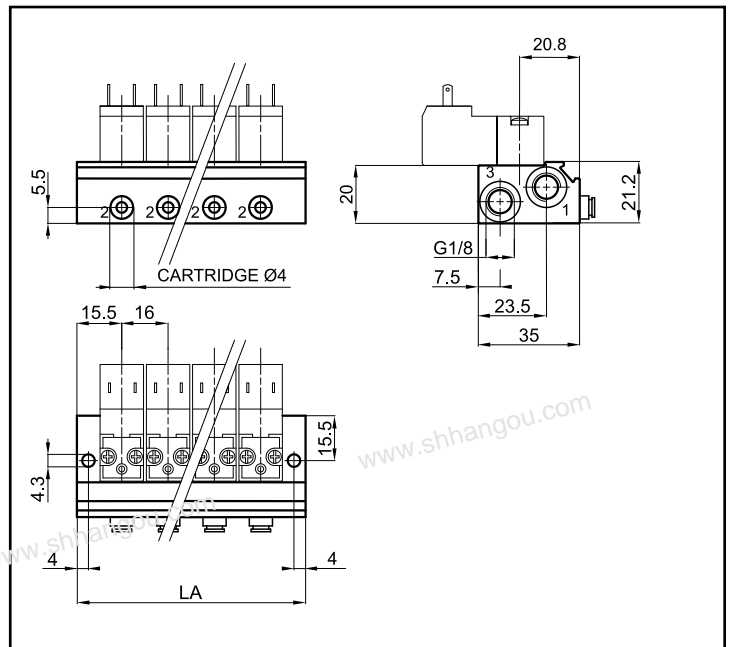
SINGLE BASE M5 - UMP5/1



MULTI-STATION BASE M5 - UMPM5

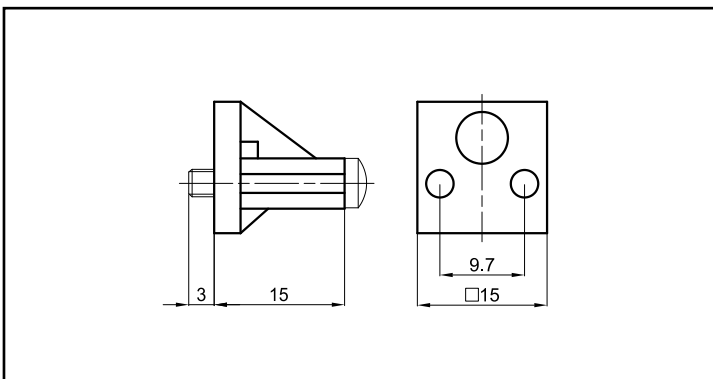


MULTI-STATION BASE WITH CARTRIDGE Ø4 mm UMP4-2



No. of stations	2	3	4	5	6	7	8	9	10
LA	47	63	79	95	111	127	143	159	175
Weight (g)	70	95	120	145	170	195	220	245	270
TYPE	UMPM5/2	UMPM5/3	UMPM5/4	UMPM5/5	UMPM5/6	UMPM5/7	UMPM5/8	UMPM5/9	UMPM5/10
Weight (g)	75	100	125	150	175	200	225	250	275
TYPE	UMP4-2/2	UMP4-2/3	UMP4-2/4	UMP4-2/5	UMP4-2/6	UMP4-2/7	UMP4-2/8	UMP4-2/9	UMP4-2/10

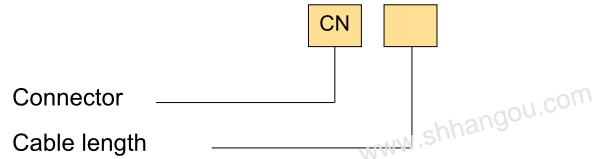
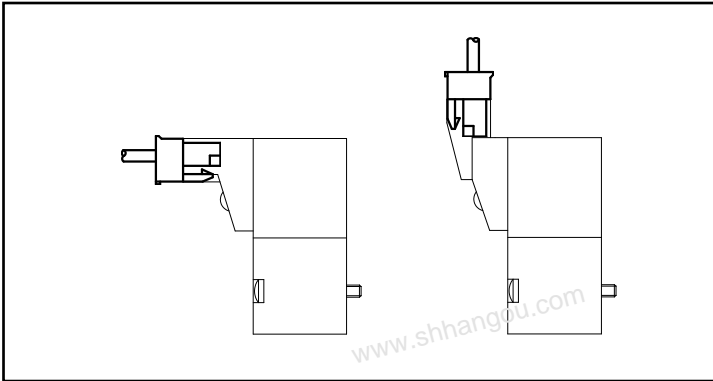
CLOSING PLATE - KIT/PC/UM



Connectors for solenoid valves 10 mm series DM and 15 mm series UM

series CN

CONNECTOR FOR SOLENOID VALVES WITH 90° CONNECTION OR IN-LINE CONNECTION



CABLE LENGTH	
300	CABLE LENGTH 300 mm
500	CABLE LENGTH 500 mm
1000	CABLE LENGTH 1000 mm

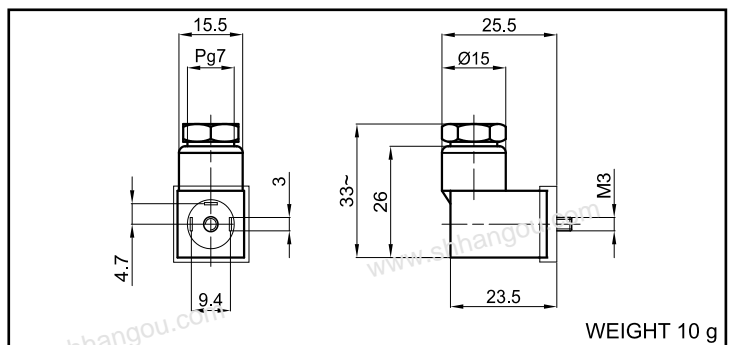
Connectors for solenoid valves 15 mm series UM

series MEK192/N

TECHNICAL DATA

Voltages	DC: MAX 300 V AC: MAX 250 V
Working temperature	-40°C + 90°C
Versions	Basic With light indicator (LED) With light indicator + and varistat (VDR) as electric protection
Number of pins	2 + earthed
Nominal current	6 A
Maximum current	10 A
Contacts resistance	≤ 4 mOhm
Protection class	IP 65 EN 60529
Connector insulation class	IEC 664 / VDE 0110-1/89

MEK192/N



DESCRIPTION	TYPE
Basic connector	MEK192/N
Connector with LED + VDR as protection 24 V DC/AC	MEK192/NVD 24CC/CA
Connector with LED + VDR as protection 110 V DC/AC	MEK192/NVD 110 V CC/CA
Connector with LED + VDR as protection 220 V DC/AC	MEK192/NVD 220 V CC/CA
Connector with LED 24 V DC/AC	MEK192/NLED 24 V CC/CA
Connector with LED 110/220 V DC/AC	MEK192/NLED 110/220 V CC/CA

Self-tappings screws for plastic

DESCRIPTION

It's possible to order the solenoid valves with self-tapping screws for plastic instead of the standard screws (metric). Drilling fixing dimensions are approximate and we always recommend to run some assembly test. To order valves with self-tapping screws, specify it when ordering by adding the suffix "/P" to the order key of the DM and UM series.

ORDER EXAMPLE

15 mm solenoid valve 3/2 N.C. with faston, channeled exhaust, nominal diameter 1.1 mm, monostable push button, 24 V DC with standard coil position and self-tappings screws for plastic: **UMCSV/02400/P**

DRILLING DIMENSIONS

