

Direct acting solenoid valves 10 mm

series DM

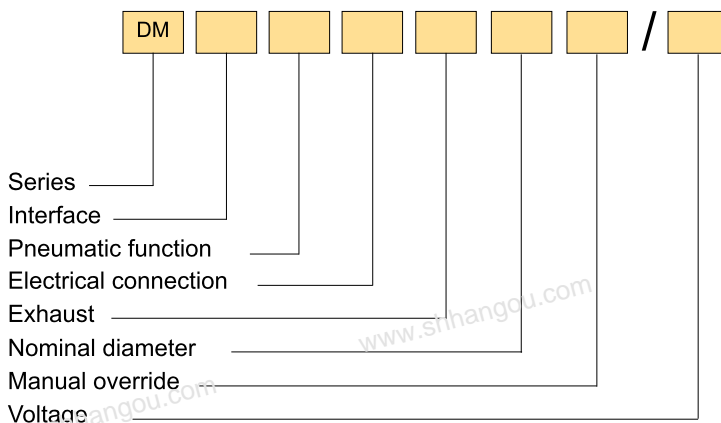
DESCRIPTION

The direct acting solenoid valves series "DM" are produced in the 3/2 N.C. pneumatic function with the interface to ISO 15218 and in the 3/2 N.O. - 3/2 N.C. pneumatic functions with not standardized interface. These valves can be used with all the fluids that can match the constructive materials. The versions with nominal diameter of 1.1 mm are equipped with "CRP" (Power Reduction Circuit, see below).

TECHNICAL DATA

Interface	to ISO 15218 or not standardized	
Nominal diameter	Ø 0.7 mm (standard coil)	Ø 1.1 mm (coil with "CRP")
Operating pressure	0 ÷ 7 bar	
Flow rate 1-2 at 6 bar Δp=1	14 NI/min	24 NI/min
Flow rate 2-3 at 6 bar Δp=1	22 NI/min	30 NI/min
Working temperature	-5 ÷ +50 °C	
Fluid	Filtered, unlubricated or continuous lubricated compressed air and other compatibles fluids	
Max. operating frequency	≤ 40 Hz	
Coil	Adjustable	
Voltages	DC: 6 - 12 - 24 V AC: 24 V	DC: 12 - 24 V
Power consumption	1.3 W	3.5 W - 0.9 W
Voltage tolerance	-5 ÷ +10%	
Protection class	IP 51 - IP 65 (only versions with embedded cables)	
Insulation class	F (155°C)	
Duty cycle	Continuous rating (ED 100%)	
Energized	Solenoid with response time = 8 ms	
De-energized	Mechanical spring with response time = 10 ms	
Electric connector	With 90° and in-line connectors : series CN - see chapter Connectors on page 7	

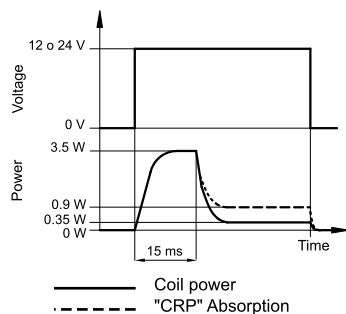
ORDER KEY



POWER REDUCTION CIRCUIT ("CRP")

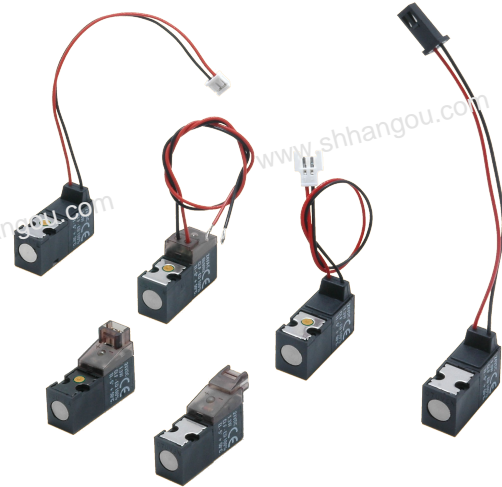
The small size and the high power required to switch the solenoid valves with a nominal diameter of 1.1 mm, would not allow the coil to dissipate the heat it generates.

The power reduction circuit ("CRP") prevents this effect. When energized, the coil produces an output of 3.5 W for the short period of 15 ms needed to switch the valve. Subsequently, the "CRP" acts by reducing the coil power to 0.35 W while maintaining the solenoid valve switched to the end of insertion. At full capacity the entire circuit, including LED indicators, absorbs 0.9 W.



ORDER EXAMPLE

10 mm valve with not standardized interface, 3/2 N.C., with 90° connector, without LED, free exhaust, nominal diameter 0.7mm, monostable push button and 24 V DC coil: **DMC4L/02400**



MATERIALS

Core	Stainless steel
Body and manual override	PA and POM
Springs	Stainless steel
Seals	NBR and FKM rubber

INTERFACE

Not standardized | to ISO 15218 (Only 3/2 N.C.)

PNEUMATIC FUNCTION

2C 2/2 N.C. | **C** 3/2 N.C.

A 3/2 N.O.

ELECTRICAL CONNECTION

- 90° connector + bipolar LED and diode
- Cable 300 mm length
- In-line connector + bipolar LED and diode
- 90° connector
- in-line connector

Options:

- Cable 100 mm length + Molex® male connector code 51006-0200
- Cable 100 mm length + Tyco® MODU II connector code 280358-0
- Cable 100 mm length + Molex® female connector code 51065-0200
- 88 Pair of solenoid valves with cables 100 mm length + Molex® single female connector code 51065-0400

EXHAUST

Channeled (standard) | **L** Free (with not standardized interface 3/2 N.C.)

NOMINAL DIAMETER

0.7 mm (standard) | **B** 1.1mm (Only 12 or 24V DC + "CRP")

MANUAL OVERRIDE

Monostable push-button (standard) | **2** Without manual override

VOLTAGE

00600	6V DC	01200	12V DC
02400	24V DC	02450-60	24V AC
01200CRP*	12V DC	02400CRP*	24V DC

COIL POSITION

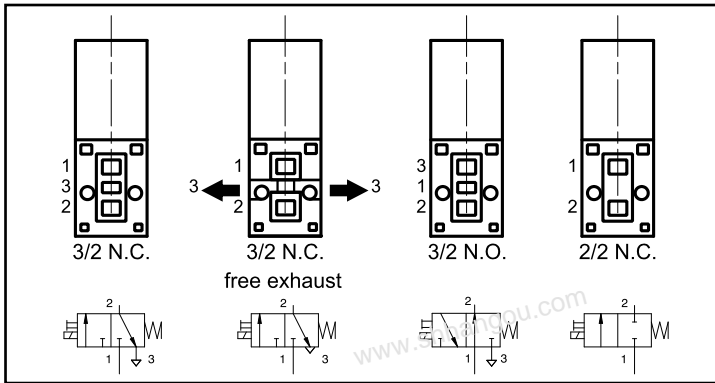
Standard | **180** Rotated 180°

* Only with: in-line connector + LED, or 90° connector + LED

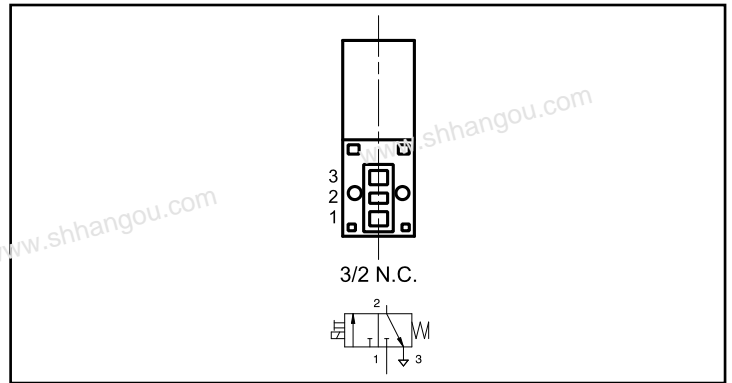
series DM

Direct acting solenoid valves 10 mm

PNEUMATIC FUNCTIONS WITH NOT STANDARDIZED INTERFACE

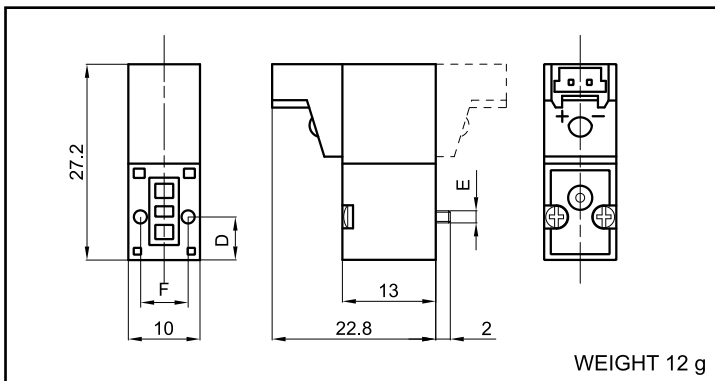


PNEUMATIC FUNCTION WITH INTERFACE TO ISO 15218

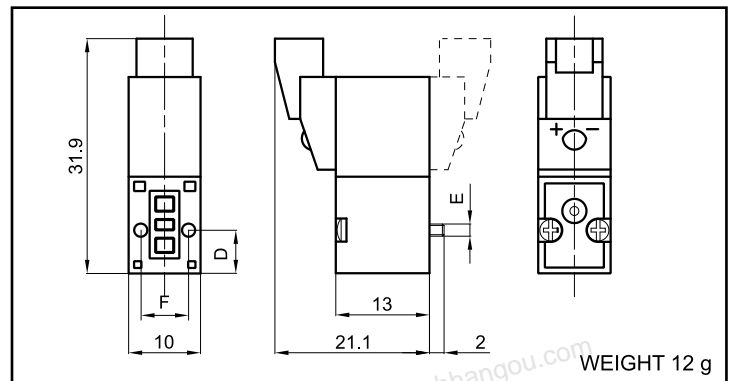


DIMENSIONS

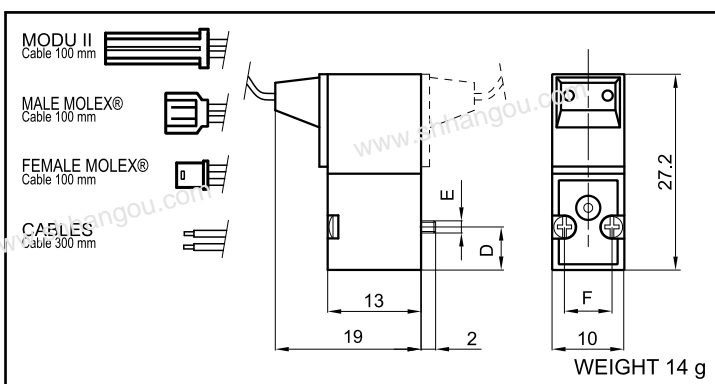
WITH 90° CONNECTOR



WITH IN-LINE CONNECTOR

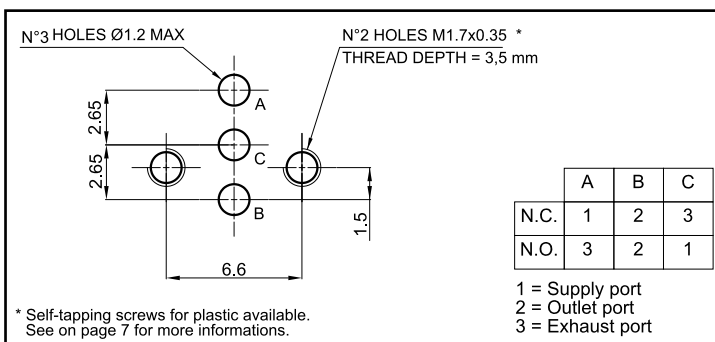


WITH CABLES

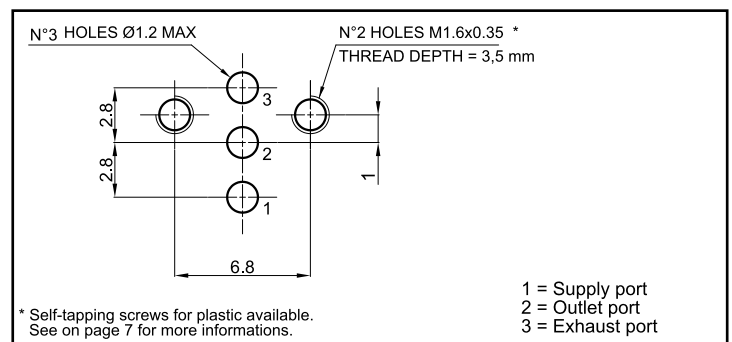


DIMENSION	NOT STANDARDIZED INTERFACE	TO ISO 15218 INTERFACE
D	6	6.2
E	M1.7x0.35	M1.6x0.35
F	6.6	6.8

DIMENSIONS OF THE NOT STANDARDIZED INTERFACE



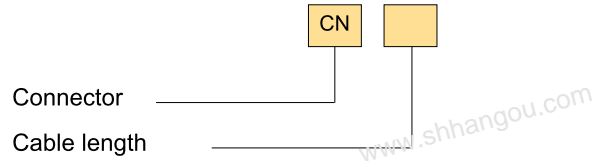
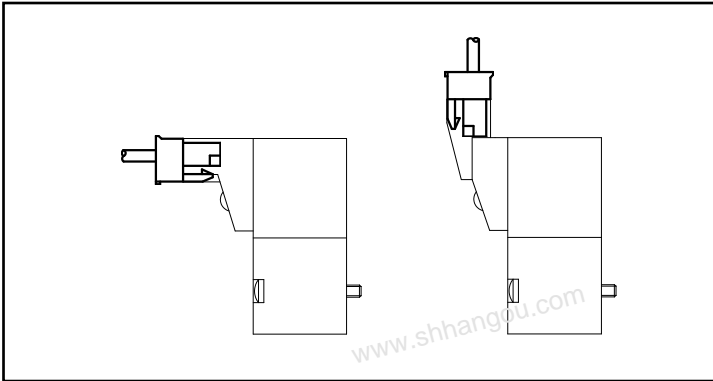
DIMENSIONS OF THE INTERFACE TO ISO 15218



Connectors for solenoid valves 10 mm series DM and 15 mm series UM

series CN

CONNECTOR FOR SOLENOID VALVES WITH 90° CONNECTION OR IN-LINE CONNECTION



CABLE LENGTH	
300	CABLE LENGTH 300 mm
500	CABLE LENGTH 500 mm
1000	CABLE LENGTH 1000 mm

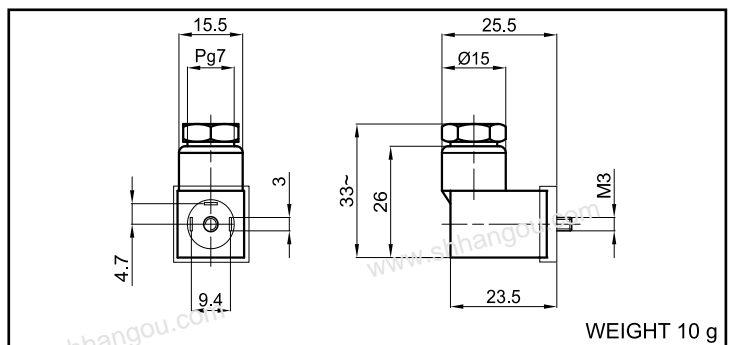
Connectors for solenoid valves 15 mm series UM

series MEK192/N

TECHNICAL DATA

Voltages	DC: MAX 300 V AC: MAX 250 V
Working temperature	-40°C ÷ +90°C
Versions	Basic With light indicator (LED) With light indicator + and varistat (VDR) as electric protection
Number of pins	2 + earthed
Nominal current	6 A
Maximum current	10 A
Contacts resistance	≤ 4 mOhm
Protection class	IP 65 EN 60529
Connector insulation class	IEC 664 / VDE 0110-1/89

MEK192/N



DESCRIPTION	TYPE
Basic connector	MEK192/N
Connector with LED + VDR as protection 24 V DC/AC	MEK192/NVD 24CC/CA
Connector with LED + VDR as protection 110 V DC/AC	MEK192/NVD 110 V CC/CA
Connector with LED + VDR as protection 220 V DC/AC	MEK192/NVD 220 V CC/CA
Connector with LED 24 V DC/AC	MEK192/NLED 24 V CC/CA
Connector with LED 110/220 V DC/AC	MEK192/NLED 110/220 V CC/CA

Self-tappings screws for plastic

DESCRIPTION

It's possible to order the solenoid valves with self-tapping screws for plastic instead of the standard screws (metric). Drilling fixing dimensions are approximate and we always recommend to run some assembly test. To order valves with self-tapping screws, specify it when ordering by adding the suffix "/P" to the order key of the DM and UM series.

ORDER EXAMPLE

15 mm solenoid valve 3/2 N.C. with faston, channeled exhaust, nominal diameter 1.1 mm, monostable push button, 24 V DC with standard coil position and self-tappings screws for plastic: **UMCSV/02400/P**

DRILLING DIMENSIONS

