

1

### DESCRIPTION

Cylinders series "P" are produced with a round profile design from Ø 32 to Ø 63. They are available in the basic version, with rear axial feed, with adjustable cushions and fitted for the use with magnetic sensors.

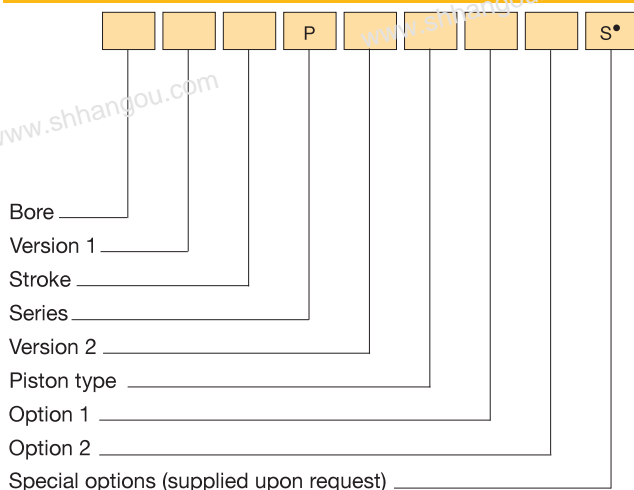
### TECHNICAL DATA

Operating pressure	1 ± 10 bar
Working temperature	0 ÷ +80 °C (-20 °C with dry air) 0 ÷ +150 °C with seals for high temperature (-10 °C with dry air)
Fluid	Filtered, unlubricated or continuous lubricated compressed air
Versions	Double acting; Single acting front spring; Single acting rear spring; Through rod; Flat rear cap (rear axial feed); Reduced flat rear cap
Bore	Ø 32, 40, 50, 63
Port size	Ø 32 = G 1/8 Ø 40 - 50 = G 1/4 Ø 63 = G 3/8
Standard strokes (mm)	10, 25, 50, 75, 80, 100, 125, 150, 160, 175, 200, 250, 300, 320, 350, 400, 450, 500
Decelerators length	Ø 32 40 50 63 mm 29 35 40 40
Max strokes (mm)	Ø 32 ÷ 63 = 1000
Max strokes single act. (mm)	Ø 32 ÷ 63 = 50

### MATERIALS

End caps	Anodized aluminium alloy
Cylinder barrel	Extruded tube, AISI 304 stainless steel
Barrel-end cover fixing type	Irreversible calking with dual-seal system, mechanical and pneumatic
Piston rod	C45 chromium-plated steel AISI 303 rolled stainless steel
Rod nut and ring nut	Steel Stainless steel (supplied upon request for the ring nut)
Decelerator ogives	Anodized aluminium alloy
Piston rod bearing	Self lubricating sintered bronze
Piston	Aluminium alloy with acetal resin piston bearing (supplied with and without magnet)
Piston seals	Polyurethane - Viton®
Springs	Spring steel

### ORDER KEY



N.B.: *Magnetic sensors* FM 100 - FM157 (see chapter magnetic sensors from page 1.93)  
• See technical data on page 0.12

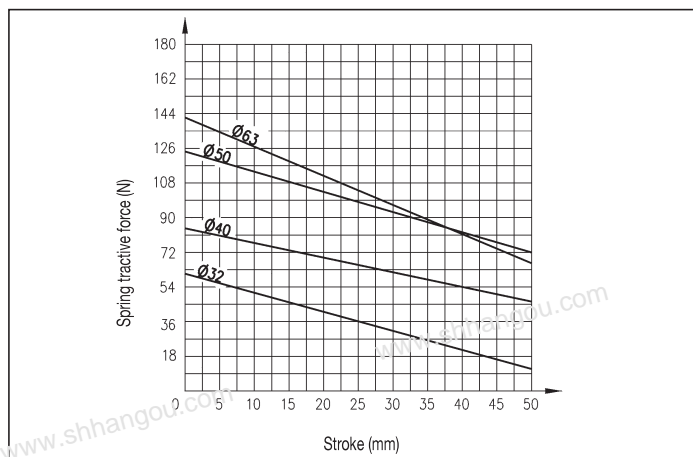
### ORDER EXAMPLES

Basic cylinder Ø32, 50 mm stroke, double acting, non magnetic piston type 32/50 PDC

Basic cylinder Ø40, 50 mm stroke, double acting, magnetic piston type, cushioned 40/50 PDEX



### SPRING THEORETICAL TRACTIVE FORCE



### VERSION 1

/ Basic cylinder **R** Through rod  
**H** Flat rear cap (rear axial feed) **C** Reduced flat rear cap\*

### VERSION 2

**D** Double acting **Y** Single acting rear spring\*\*  
**S** Single acting front spring

### PISTON TYPE

**C** Non-magnetic **E** Magnetic

### OPTION 1

**X** Cushioned

### OPTION 2

**1** Stainless steel piston rod and rod nut **3** Stainless steel piston rod and rod nut, and seals for high temperature\*\*\*  
**2** Seals for high temperature\*\*\*

\* Not available in the option "X"

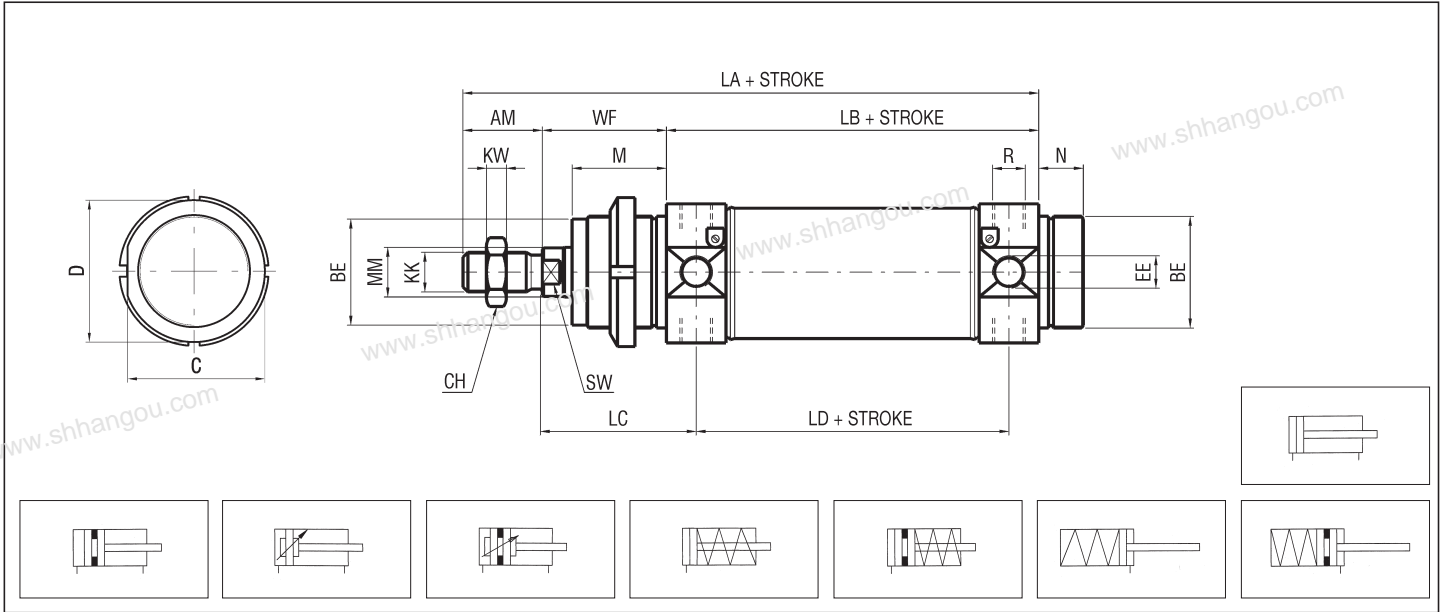
\*\* Different dimensions from the versions "D" and "S"; contact the commercial office

\*\*\* Supplied only with non-magnetic piston type

Cylinder Ø50, through rod, 100 mm stroke, double acting, magnetic piston type, cushioned 50R100 PDEX

Basic cylinder Ø50, 40 mm stroke, single acting rear spring, non magnetic piston type, seals for high temperature 50/40 PYC2

## P BASIC CYLINDER

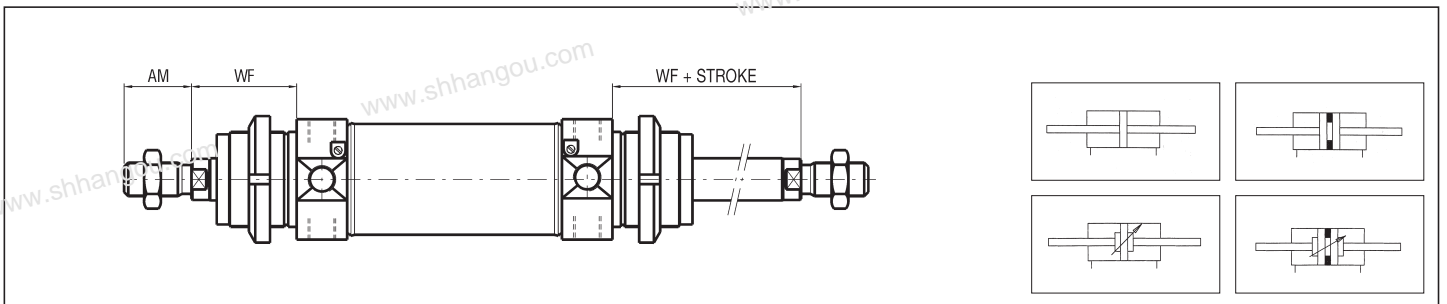


P.S.: End cap ring nut and rod nut supplied as standard

## DIMENSIONS AND WEIGHTS BASIC CYLINDER

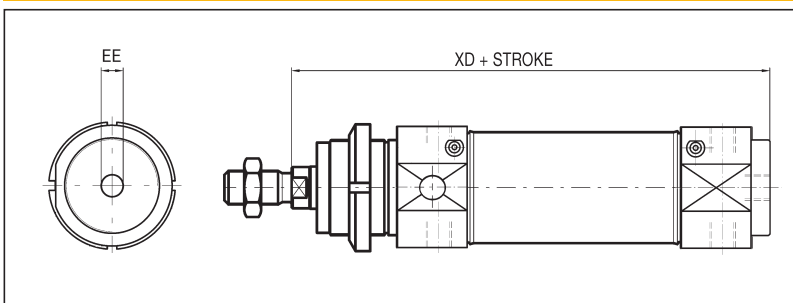
Ø	AM	BE	C	CH	D	EE	KK	KW	LA	LB	LC	LD	M	MM	N	R	SW	WF	XC	XD	WEIGHT (g)	INCR. (g) x 10 mm
32	20	M30x1,5	36,5	17	38	G1/8	M10x1,25	6	154	96	47	78	30	12	14	M8x1	10	38	134	140	386	16
40	24	M38x1,5	44	19	46	G1/4	M12x1,25	7	182	113	57	89	35	16	16	M10x1	12	45	158	163	690	26
50	32	M45x1,5	55	24	57	G1/4	M16x1,5	8	202	120	62	96	38	20	18	M12x1,5	16	50	170	176	1265	34
63	32	M45x1,5	67,5	24	70	G3/8	M16x1,5	8	206	124	63	98	38	20	18	M14x1,5	24	50	174	180	1750	50

## THROUGH ROD



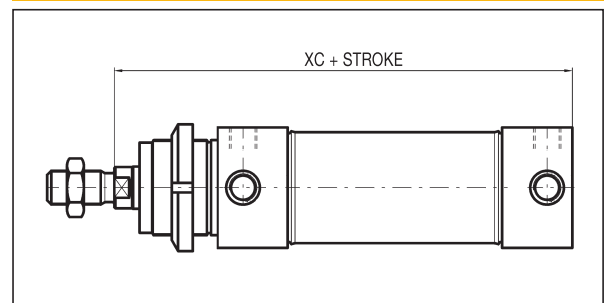
P.S.: End cap ring nuts and rod nuts supplied as standard

## FLAT END CAP (REAR AXIAL FEED)



P.S.: End cap ring nut and rod nut supplied as standard

## REDUCED FLAT REAR CAP



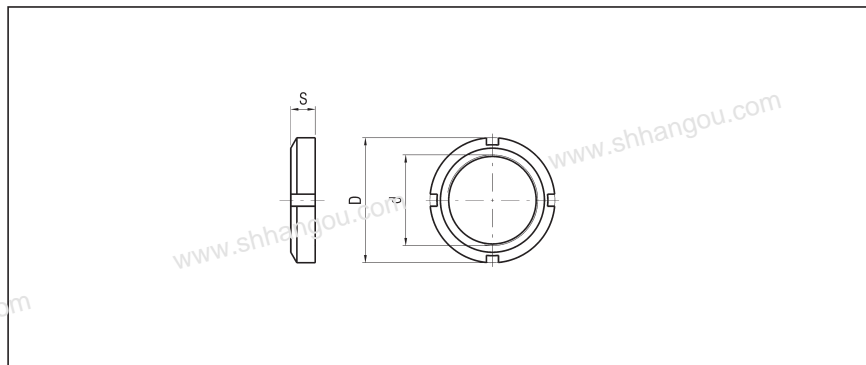
P.S.: End cap ring nut and rod nut supplied as standard

1

### RING NUT - STEEL - PG Ø

Ø	d	D	S	WEIGHT (g)
32	M30x1,5	42	8	43
40	M38x1,5	50	10	80
50-63	M45x1,5	60	10	122

AISI 304 STAINLESS STEEL SUPPLIED UPON REQUEST  
(SEE PAGE 1.19)

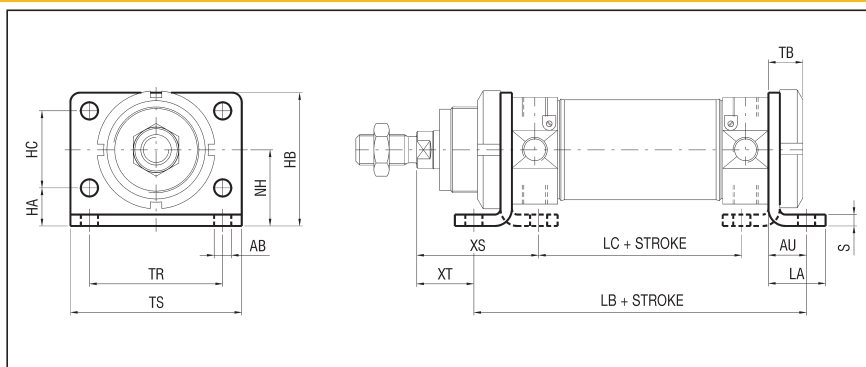


### FLANGE/FOOT - STEEL - PFP Ø

Ø	AB	AU	HA	HB	HC	LA	LB	LC
32	7	14	14	49	28	21	124	76
40	9	20	18	58	30	30	153	83
50	9	20	20	70	40	30	160	92
63	9	20	20	80	50	30	164	96

Ø	NH	S	TB	TR	TS	XS	XT	WEIGHT (g)
32	28	4	14	52	66	48	24	98
40	33	5	20	60	88	60	25	183
50	40	6	20	70	90	64	30	276
63	45	6	20	76	96	64	30	395

AISI 304 STAINLESS STEEL SUPPLIED UPON REQUEST  
(SEE PAGE 1.19)

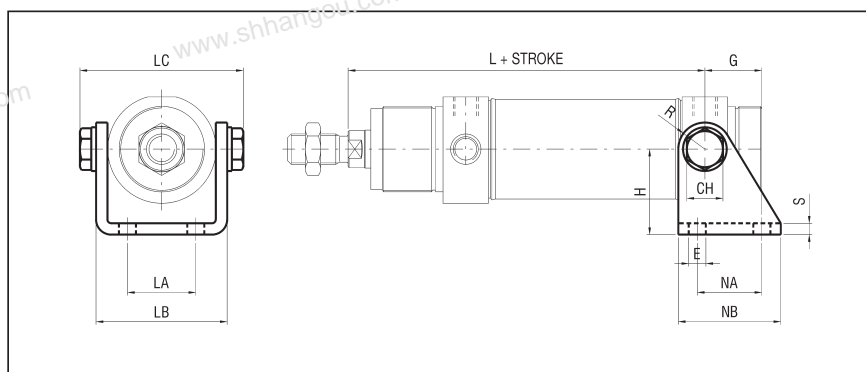


### REAR HINGE - STEEL - PSC Ø

Ø	CH	E	G	H	L	LA	LB
32	13	7	20	34	125	20	46,1
40	17	9,5	27	38	146	28	56,1
50	19	10	30	44	158	36	69,1
63	19	10	34	50	161	42	82,1

Ø	LC	NA	NB	R	S	WEIGHT (g)
32	58	24	40	8	4	150
40	70	30	50	9,5	5	259
50	86	34	54	10	6	403
63	100	35	65	10	6	520

AISI 304 STAINLESS STEEL SUPPLIED UPON REQUEST  
(SEE PAGE 1.19)



### PIVOT (pair) - STEEL - PT Ø

Ø	D	H	LA	LB	CH	WEIGHT (g)
32	10	51	47	125	6	10
40	12	64	57	146	6	20
50	14	75	62	158	6	40
63	16	90	63	161	8	65

AISI 304 STAINLESS STEEL SUPPLIED UPON REQUEST  
(SEE PAGE 1.19)

