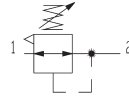


### DESCRIPTION

Pressure reducers series "EZRR" are produced with connections G 3/8, G 1/2 and G 1; they are available with different scales of regulation and can be supplied without the relieving seal on request.

### TECHNICAL DATA

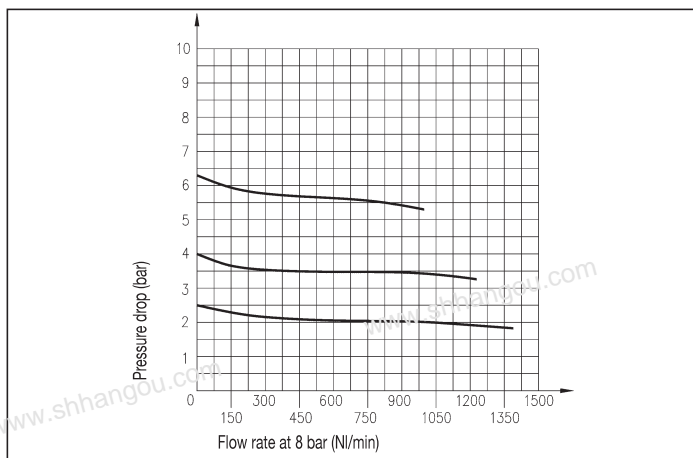
Maximum pressure	16 bar
Working temperature	0 ÷ +50 °C (-10 °C with dry air)
Fluid	Filtered, lubricated and unlubricated compressed air
Port size	G 3/8 - G 1/2 - G 1
Pressure gauge port size	G 1/8
Adjusting range (bar)	0,2 ÷ 2 - 0,4 ÷ 4 - 0,8 ÷ 8
Type of mounting	Modular, in-line, wall and panel mounting
Wall clamping screws	G 3/8: M4x60 G 1/2: M5x70 G 1: M6x90



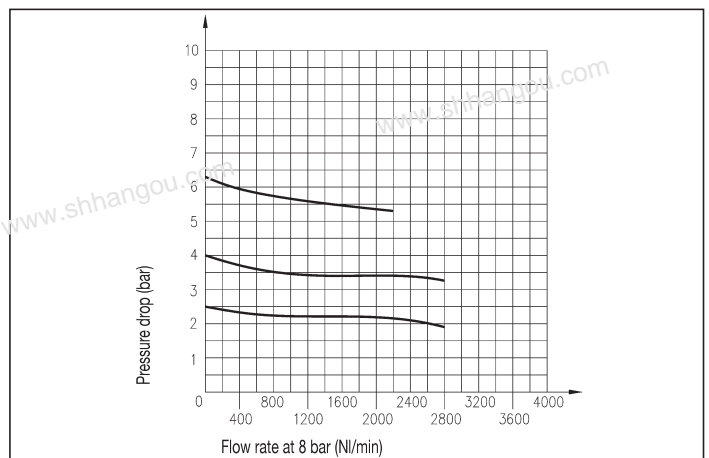
### MATERIALS

Body	Aluminium alloy
Closing plug	Brass, NBR rubber
Spring	Stainless steel
Knob	Acetal resin
Adjusting screw	Brass
Diaphragm	Brass, friction

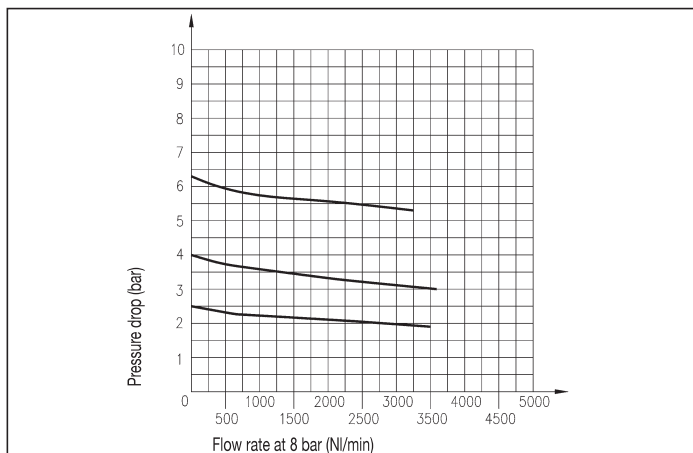
### FLOW CHART - EZRR G 3/8



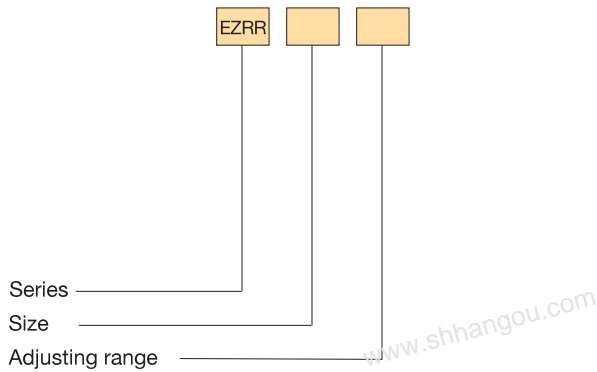
### FLOW CHART - EZRR G 1/2



### FLOW CHART - EZRR G 1



ORDER KEY

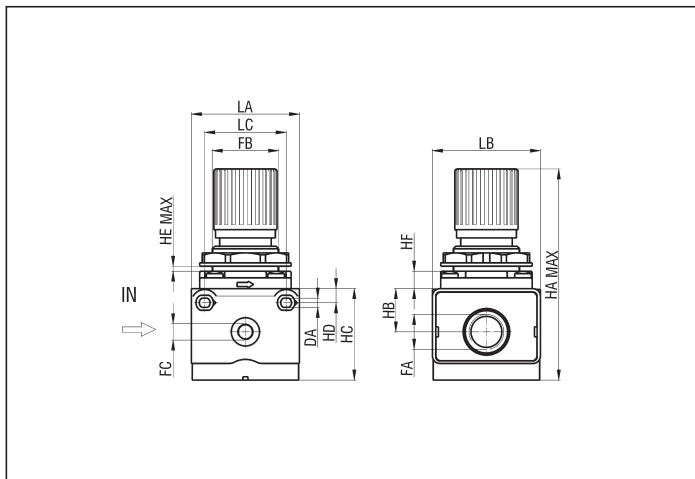


SIZE			
3	G 3/8	2	G 1/2
1	G 1		
ADJUSTING RANGE			
/3	0,2 ÷ 2 bar	/5	0,4 ÷ 4 bar
/7	0,8 ÷ 8 bar		

P.S.: Reducers can be supplied without the relieving seal on request; the series becomes "EZRR..."

SPARE PARTS	
Relieving kit adjustment size 3	EZRR3/SG/6
Relieving kit adjustment size 2	EZRR2/SG/6
Relieving kit adjustment size 1	EZRR1/SG/6

DIMENSIONS AND WEIGHTS EZRR



SIZE	DA	FA	FB	FC	HA	HB	HC	HD	HE	HF	LA	LB	LC	WEIGHT (g)
3	4,5	G 3/8	M30x1,5	G 1/8	99	21	48	6	4	6	55	50	40	450
2	5,5	G 1/2	M40x1,5	G 1/8	127	26	55	8,5	7	10,5	65	65	49	465
1	6,6	G 1	-	G 1/8	194,5	31	76	9	-	14	85	82	60	2385