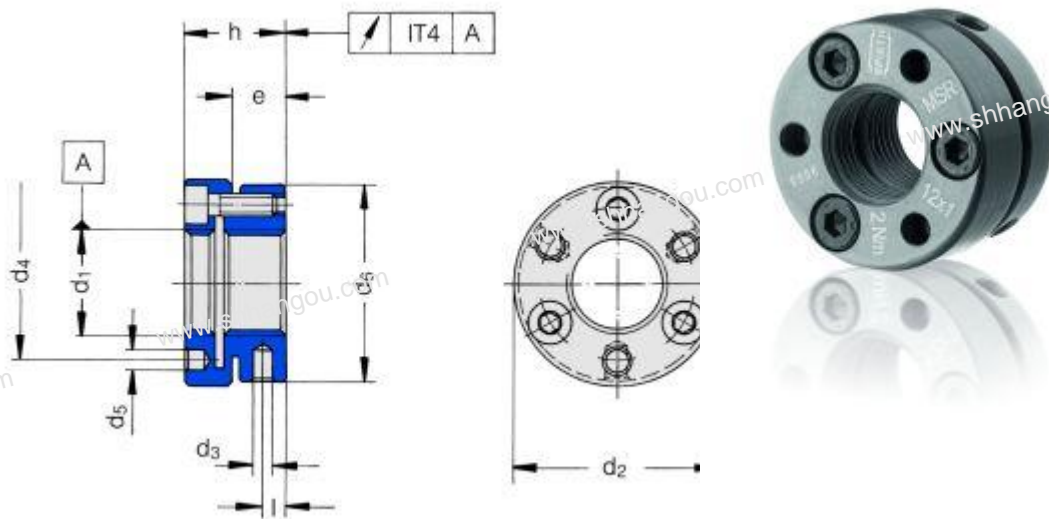


Locknuts Series MSR up to M15



Designation of a locknut with $d_1 = M12 \times 1$:

Locknut MSR 12.1

Subject to changes.

[Special versions:](#)

On request, by sending of an

The admissible operating loads specified in the table are guideline values explanatory sketch. calculated with a safety margin of 1.6.

- under static stress relative to the minimum yield point
- under dynamic stress relative to the minimum alternate strength

CAD	Code	Dimensions [mm]									clamping screws			factor	factor	adm. axial stress		Moment of inertia
	MSR up to 15-1	d1	d2	d3 *)	d4	d5 *)	d6	h	l	e	ISO 4762	MA [Nm]	No.	A [mm]	B [N]	dyn. [kN]	stat. [kN]	J [kgcm ²]
🔍	10-0,75	M10x0,75	24	2,5	17,0	3,2	22	14	3,0	7	M3	2,0	3	0,672	2457	12	16	0,025
🔍	10-1	M10x1	24	2,5	17,0	3,2	22	15	3,0	7	M3	2,0	3	0,703	2457	12	15	0,027
🔍	12-1	M12x1	26	3,0	19,0	3,2	25	14	3,0	7	M3	2,0	3	0,819	2438	14	19	0,037
🔍	12-1,5	M12x1,5	26	3,0	19,0	3,2	25	15	3,0	7	M3	2,0	3	0,881	2438	13	18	0,040
🔍	14-1,5	M14x1,5	32	4,0	22,5	4,3	30	16	3,0	7	M4	2,9	3	0,997	2995	17	22	0,096
🔍	15-1	M15x1	33	4,0	23,5	4,3	31	16	3,0	7	M4	2,9	3	0,992	2984	19	25	0,108