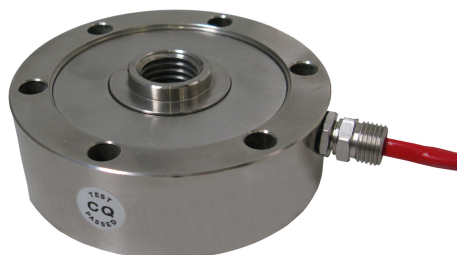




Pavone Sistemi
pesatura elettronica industriale



LOAD CELLS

compression

GD-4

Customized product, designed and manufactured according to specific customer needs

Compression load cell, designed and built for demanding environments

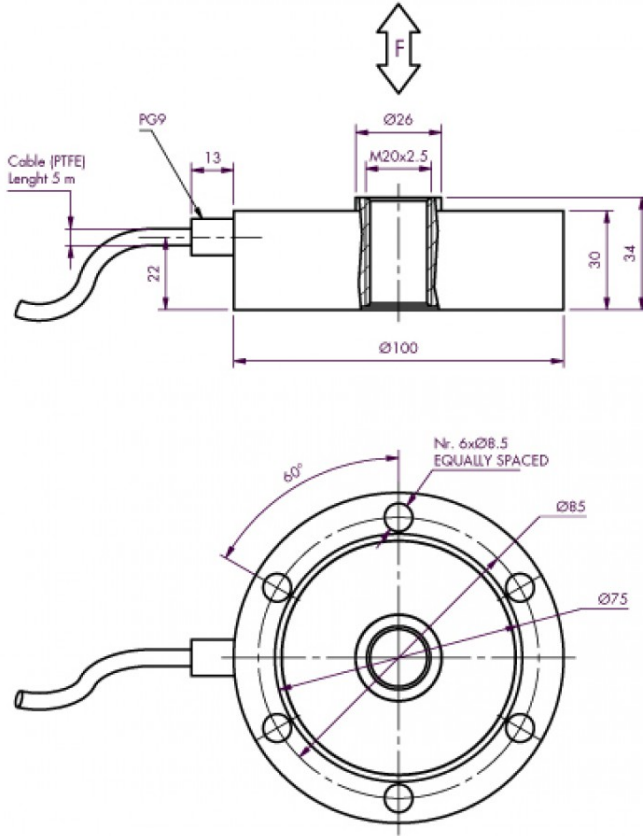
TECHNICAL CHARACTERISTICS GD-4

Nominal force:	50kN
Safe overload:	150% FS
Ultimate overload:	300% FS
Repeatability:	± 0,05% FS
Combined error:	± 0,15% FS
Compensated temperature:	-10 ÷ +60 °C
Operating temperature:	-10 ÷ +80 °C
Protection degree:	IP65
Material:	Stainless steel





LOAD CELLS
compression
GD-4



Electrical Connection

+Supply	Red
-Supply	Black
+Signal	Green
-Signal	White
+Rif	Orange
-Rif	Blue

