

Description

US Digital offers a wide variety of standard HubDisk assemblies (optical encoder disk attached to an aluminum hub) to aid with mounting onto a shaft. Encoder disks may also be ordered as a stand alone item (see the Disks page). The rotary encoder disks are made from 0.007" thick Mylar polyester film and the material allows for a -40C to 100C temperature range. The disk on the HubDisk assembly comes attached with the emulsion side up when the disk text is correct reading.

HUBDISK-1 consists of a precision machined aluminum hub fastened to a 1" diameter optical encoder disk (DISK-1). One set screw is used to fasten the hub to a shaft. The HubDisk assembly is available with bore sizes ranging from 2 mm to 10 mm. All HubDisk assembly bores are held to a very tight tolerance defined by US Digital Technical Bulletin, Shaft and Bore Tolerances TB1001.

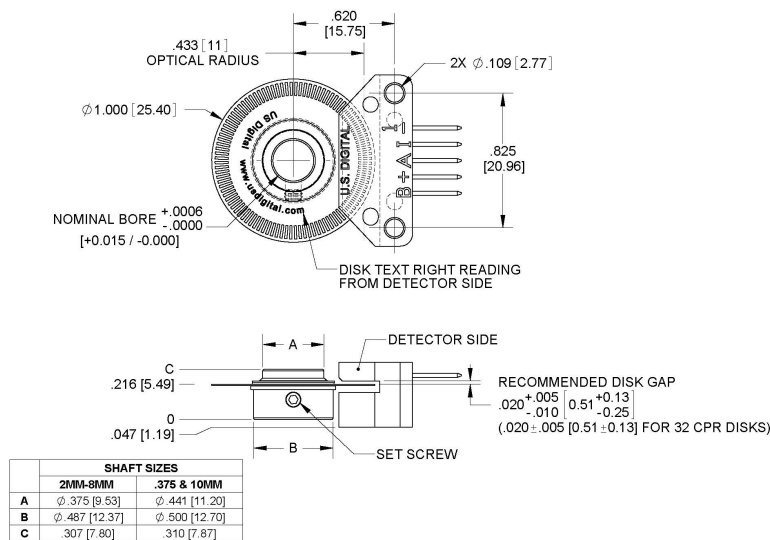


Features

- ▶ 1" disk with hub
- ▶ Up to 5,000 CPR (when paired with our EM2)

Mechanical Drawing

HUBDISK-1 1" Transmissive Rotary Codewheel



RELEASE DATE 10/17/2011

Specifications

Shaft Torque	2-3 in-lbs
Inside Diameter (ID) tolerance	See Technical Bulletin TB1001
Outside Disk Diameter (OD)	1" ± 0.010"
Disk Thickness	0.007"
Temperature Range	-40C to 100C

Technical Bulletins

Title	Download
Technical Bulletin TB1001 - Shaft and Bore Tolerances	Download

Ordering Information

HUBDISK-1 - - -

CPR	Bore	Index
32 =EM1	079 =2mm	NE =No Index, EM1 Compatible Only
50 =EM1	118 =3mm	IE =Index, EM1 & EM2 Compatible
96 =EM1	125 =1/8"	
100 =EM1	156 =5/32"	
110 =EM1	157 =4mm	
120 =EM1	188 =3/16"	
192 =EM1	197 =5mm	
200 =EM1	236 =6mm	
250 =EM1	250 =1/4"	
256 =EM1	276 =7mm	
360 =EM1	313 =5/16"	
400 =EM1	315 =8mm	
500 =EM1	375 =3/8"	
512 =EM1	394 =10mm	
540 =EM1		
720 =EM1		
900 =EM1		
1000 =EM1		
1024 =EM1		
1250 =EM1		
2000 =EM2		
2048 =EM2		
2500 =EM2		
4000 =EM2		
4096 =EM2		
5000 =EM2		

Notes

- US Digital warrants its products against defects in materials and workmanship for two years. See complete warranty for details.