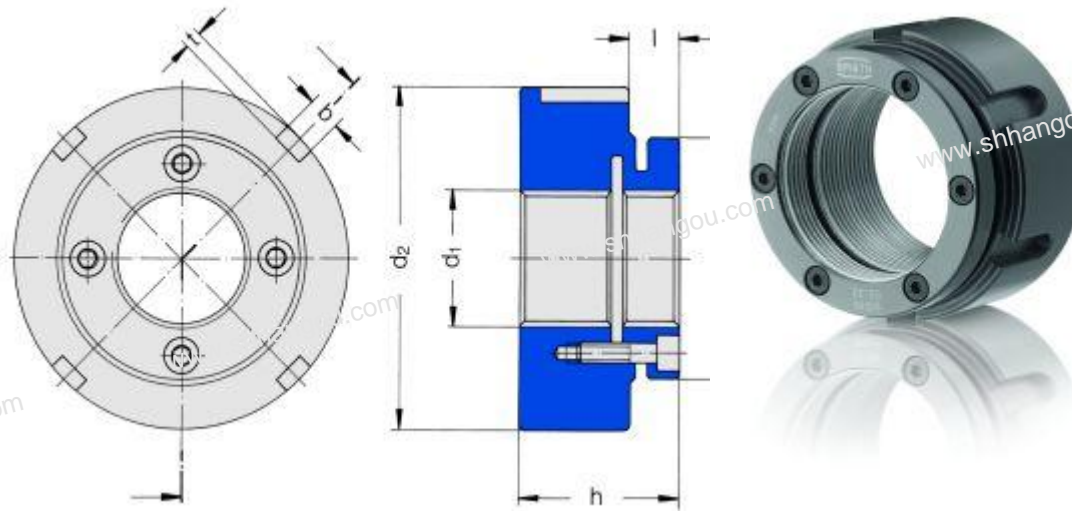


## Locknuts Series MSW up to M70



Designation of a locknut with  $d1 = M30 \times 1,5$  and height  $h = 28\text{mm}$ :

Locknut MSW 30.28

Subject to changes.

Special versions:

On request, by sending of an

The admissible operating loads specified in the table are guideline values explanatory sketch.

calculated with a safety margin of 1.6.

- under static stress relative to the minimum yield point
- under dynamic stress relative to the minimum alternate strength

CAD	Code	Dimensions [mm]							clamping screws			factor	factor	adm. axial stress		Moment of inertia
	MSW up to 70.46	d1	d2	d3	h	l	b *)	t	ISO 4762	MA [Nm]	No.	A [mm]	B [N]	dyn. [kN]	stat. [kN]	J [kgcm <sup>2</sup> ]
🔍	20·28	M20x1,5	42	38	28	11	6	2,5	M4	2,9	4	1,344	1560	57	80	0,486
🔍	20·40	M20x1,5	52	42	40	11	7	3,0	M4	2,9	4	1,344	936	110	156	1,740
🔍	25·28	M25x1,5	47	43	28	11	7	3,0	M4	2,9	4	1,633	1560	68	102	0,741
🔍	25·40	M25x1,5	62	47	40	11	8	3,5	M4	2,9	4	1,633	936	131	196	3,412
🔍	30·28	M30x1,5	52	48	28	11	7	3,0	M4	2,9	4	1,921	1560	77	123	1,085
🔍	30·44	M30x1,5	68	52	44	11	8	3,5	M4	2,9	4	1,921	936	172	273	5,537
🔍	35·28	M35x1,5	60	53	28	11	8	3,5	M4	2,9	4	2,210	1560	88	144	1,803
🔍	35·44	M35x1,5	73	60	44	11	8	3,5	M4	2,9	4	2,210	936	195	320	7,406
🔍	40·28	M40x1,5	65	58	28	11	8	3,5	M4	2,9	6	2,500	1560	97	165	2,425

🔍	40-44	M40x1,5	75	62	44	11	8	3,5	M4	2,9	6	2,500	936	215	367	7,983
🔍	45-28	M45x1,5	70	63	28	11	8	3,5	M4	2,9	6	2,789	2340	105	184	3,143
🔍	45-44	M45x1,5	90	70	44	11	10	4,0	M4	2,9	6	2,789	1404	234	410	16,424
🔍	50-32	M50x1,5	75	68	32	11	8	3,5	M4	2,9	6	3,079	2340	147	267	4,778
🔍	50-46	M50x1,5	95	75	46	11	10	4,0	M4	2,9	6	3,079	1404	268	488	21,339
🔍	55-46	M55x1,5	100	80	46	12	10	4,0	M5	6,0	6	3,369	2286	272	504	23,594
🔍	60-46	M60x1,5	100	85	46	12	10	4,0	M5	6,0	6	3,655	2286	294	551	24,769
🔍	65-46	M65x1,5	110	90	46	12	10	4,0	M5	6,0	6	3,948	2286	314	598	35,860
🔍	70-46	M70x1,5	115	95	46	12	10	4,0	M5	6,0	6	4,238	2286	333	645	42,215