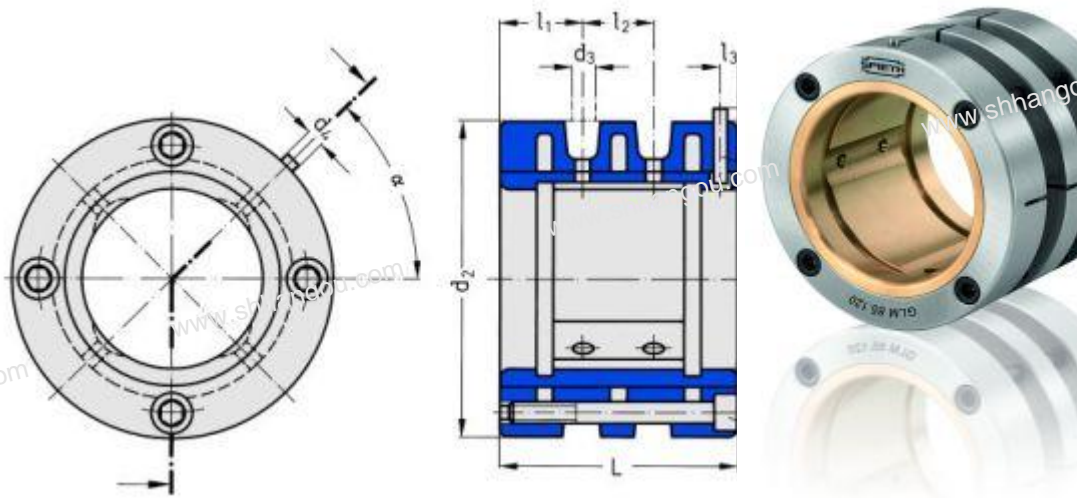


Adjustable Radial Plain Bearing GLM



CAD	Code	Dimensions [mm]						Zylinderstift DIN 7				Clamping Screw	
	GLM	d1	d2	L	l1	l2	d3	d4 [mm]	c [mm]	l2 [mm]	Alpha [Grad]	ISO 4762	No.
🔍	30.55	30	55	40	13,8	12,5	4	2	2	3	45	M4x35	4
🔍	35.60	35	60	40	13,8	12,5	4	2	2	3	45	M4x35	4
🔍	40.65	40	65	45	15,0	15,0	6	2	2	3	45	M4x40	4
🔍	45.70	45	70	45	15,0	15,0	6	2	2	3	45	M4x40	4
🔍	50.80	50	80	52	17,8	16,5	6	3	2	4	45	M5x45	4
🔍	55.85	55	85	56	18,8	18,5	8	3	2	4	45	M5x50	4
🔍	60.90	60	90	62	20,3	21,5	10	3	2	4	45	M5x55	4
🔍	65.100	65	100	68	23,5	21,0	10	4	3	6	45	M6x60	4
🔍	70.105	70	105	72	24,5	23,0	10	4	3	6	45	M6x65	4
🔍	75.110	75	110	78	26,0	26,0	15	4	3	6	45	M6x70	4
🔍	80.115	80	115	82	27,0	28,0	15	4	3	6	45	M6x75	4
🔍	85.120	85	120	85	27,8	29,5	15	4	3	6	45	M6x75	4
🔍	90.125	90	125	90	29,8	30,5	15	4	3	6	45	M6x80	4
🔍	95.130	95	130	95	31,0	33,0	20	4	3	6	45	M6x85	4
🔍	100.135	100	135	100	32,3	35,5	20	4	3	6	45	M6x90	4
🔍	110.160	110	160	110	34,8	40,5	20	4	3	6	45	M8x100	4
🔍	120.170	120	170	120	38,5	43,0	25	4	3	7	30	M8x110	6
🔍	130.180	130	180	130	41,0	48,0	25	4	3	7	30	M8x120	6
🔍	140.190	140	190	140	43,5	53,0	25	4	3	7	30	M8x130	6