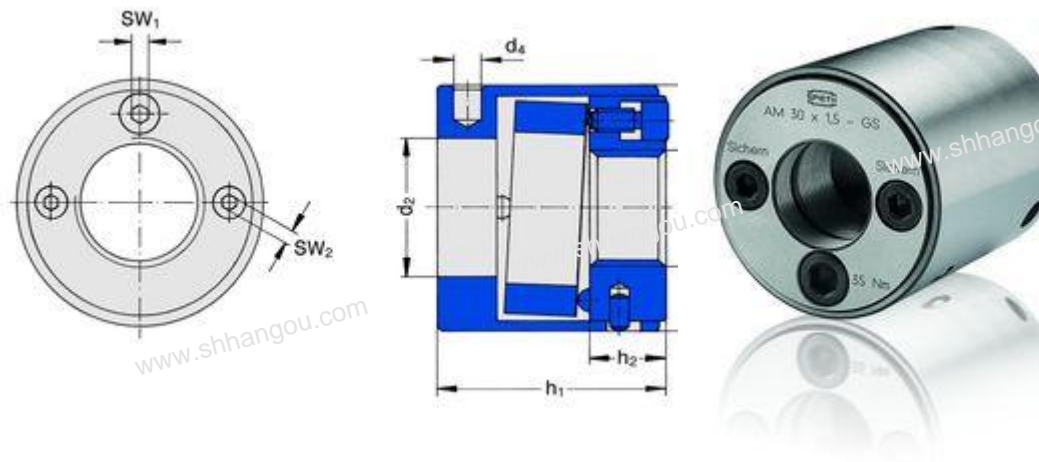


## Clamping Nuts Series AM...-GS



Designation of a clamping nut with thread M30x1,5 and thread fixation: Subject to changes.

Clamping nut AM 30x1,5-GS

Special versions:

On request, by sending of an explanatory sketch.

CAD	Code	Dimensions [mm]						Effective clamp. force	Clamping Screw		Fixing screws	
	AM-GS	d1	d2	d3	d4	h1	h2	F [kN]	SW1 [mm]	MA [Nm]	SW2 [mm]	MS [Nm]
🔍	20x1,5-GS	M20x1,5	22	52	6,9	56	26	30	6	20	5	8
🔍	24x1,5-GS	M24x1,5	27	55	6,9	56	26	30	6	20	5	8
🔍	30x1,5-GS	M30x1,5	32	69	9,2	78	31	50	8	35	6	15
🔍	36x2-GS	M36x2	40	78	9,2	82	31	50	8	35	6	15
🔍	42x2-GS	M42x2	50	88	11,5	88	36	75	10	55	6	15
🔍	52x2-GS	M52x2	60	100	11,5	92	36	75	10	55	6	15
🔍	60x3-GS	M60x3	70	118	14,0	102	40	85	12	70	8	20
🔍	68x3-GS	M68x3	80	130	16,2	112	46	100	14	80	10	30
🔍	80x4-GS	M80x4	100	152	16,2	122	46	100	14	80	10	30